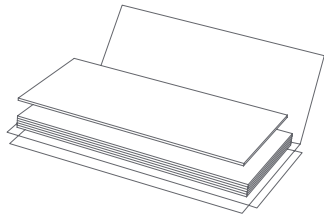


Ecooustic® Sculpt Coffered Installation + Care

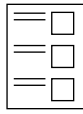


Supplied



Ecoustic Panels
3 per set (Deep)
2 per set (Shallow)

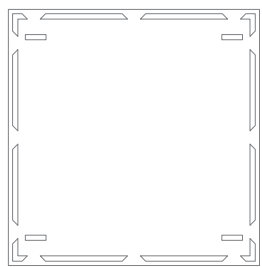
Essential



Instructions



Clean hands



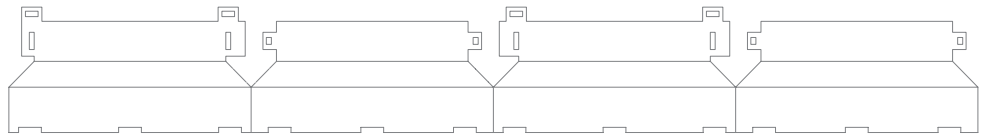
Back Panel
8 x (Sculpt Coffered Deep)
7 x (Sculpt Coffered Shallow)



U Shape Cleats
32 x (Sculpt Coffered Deep)
28 x (Sculpt Coffered Shallow)



Locking Pins
32 x (Sculpt Coffered Deep)
28 x (Sculpt Coffered Shallow)



Frame
8 x (Sculpt Coffered Deep)
7 x (Sculpt Coffered Shallow)

IMPORTANT

Thickness tolerances

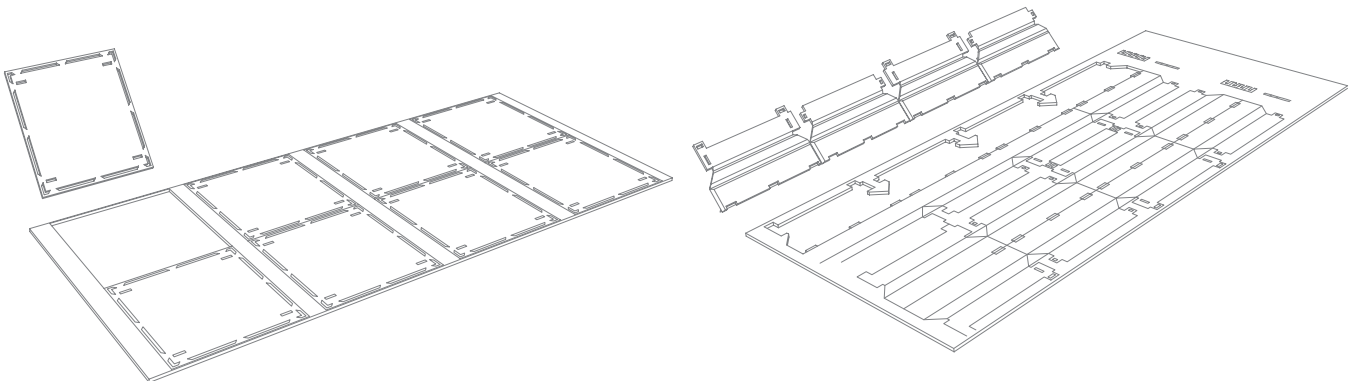
Please note panel thickness may vary +/-1-2mm approx.

Overhead Safety

Instyle recommends structural engineers safety certification for all overhead installations.

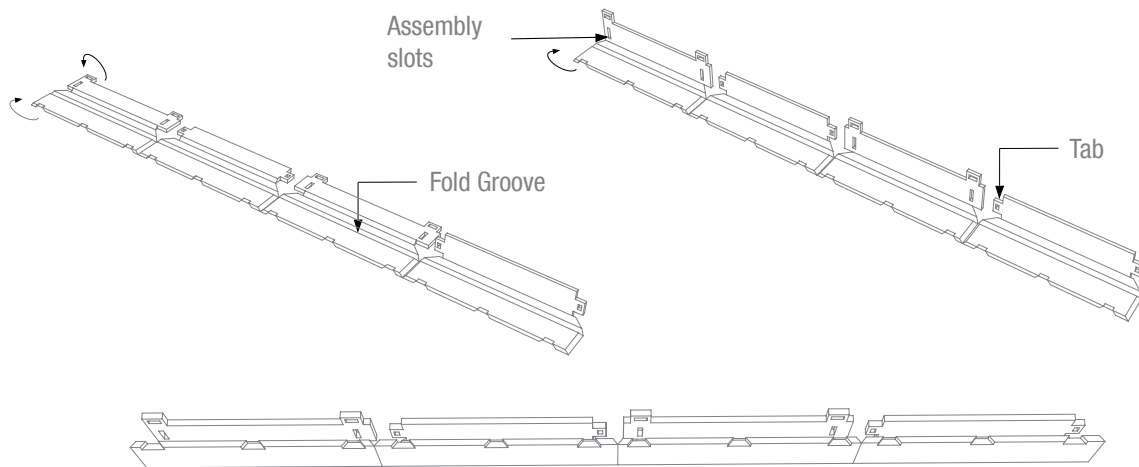
Step 1

On a clean flat surface, remove the components from their protective surrounds, separating the different components. Remove excess material from fold lines, tabs and assembly slots.



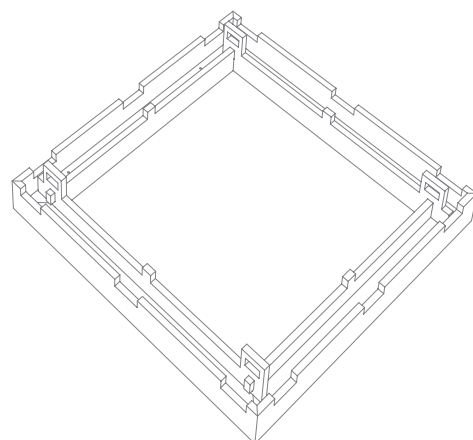
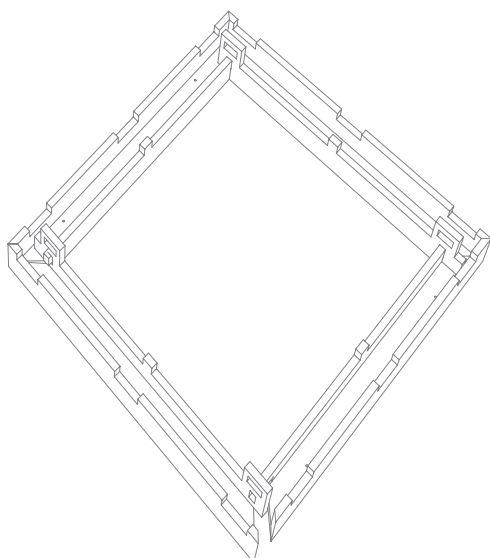
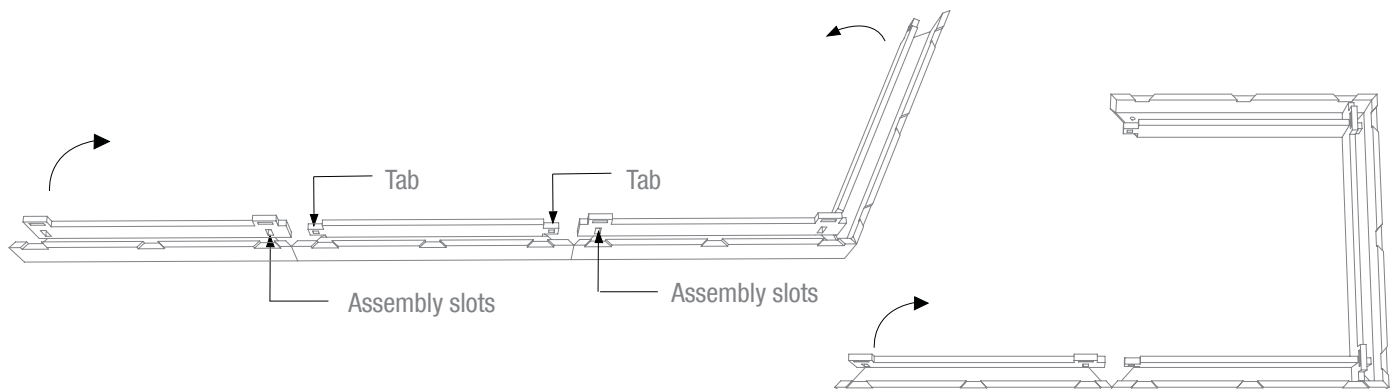
Step 2

Fold the flanges upwards along the fold grooves to create a channel with the opening facing upwards.



Step 3

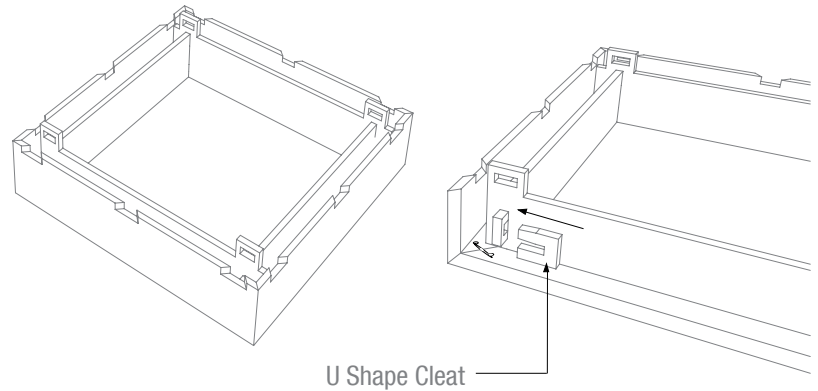
Fold each side of the Frame channels assembly 90 degree along the vertical V-Groove joints and engage the tab into the assembly slot of the adjoining side.



Sculpt Coffered
Shallow

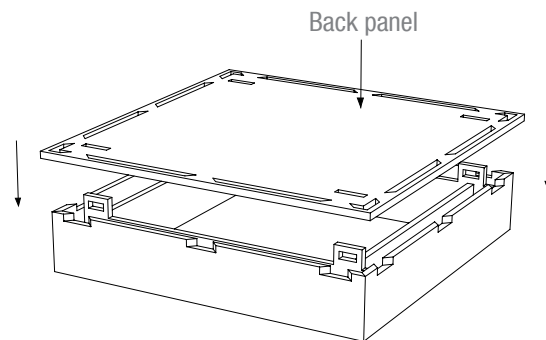
Step 4a - Sculpt Coffered Deep

Insert U shape cleats through tabs to stop tabs from slipping out. U shape cleats can be inserted into all 4 corner junctions.



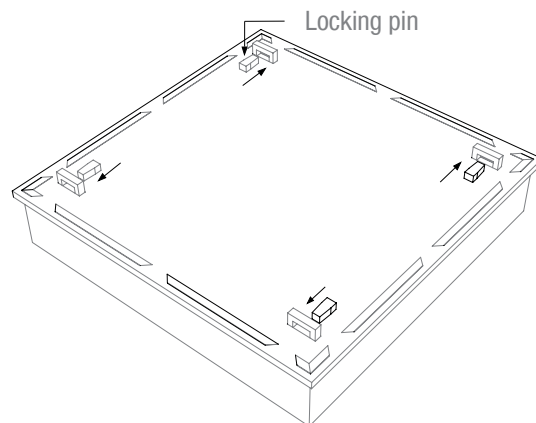
Step 5

Rotate back panel into correct position and lower back panel over assembly. Engage the joints on the perimeter of the assembly onto the precut slots, the back panel should overhang the tile.



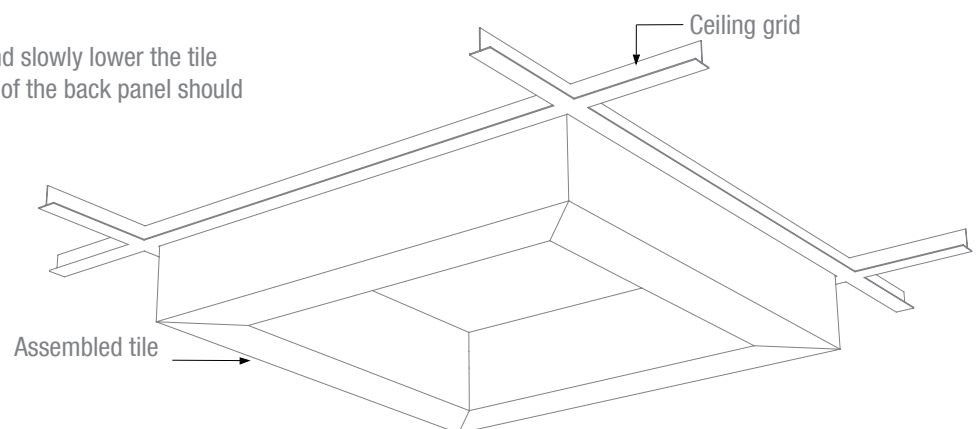
Step 6

Slide locking pins through holes of the extensions above the back panel. Ensure a tight fit, and repeat on all 4 corners.



Step 7

Manoeuvre the tile above the ceiling grid, and slowly lower the tile onto the ceiling grid. The extended flanges of the back panel should rest on the grid on all 4 sides.



Regular Care

- Protect from direct heat and sunlight
- To prevent dust build up, lightly dust with a soft cloth or vacuum with a soft brush attachment

Cleaning

- Professional cleaning is always recommended
- Always test any any cleaning products on an inconspicuous area prior to commencing cleaning
- Blot any excess spills from the material with a dry clean sponge or cloth
- Treat all stains and spills as soon as possible
- Most marks can be spot cleaned by lightly wetting the affected area with a mild detergent and warm water solution
- Do not saturate the tile
- Do not scrub or abrade the surface as this will affect the surface finish
- Once the stain or mark has been loosened then blot the excess solution out with a dry clean sponge or cloth
- Sponge afterwards with clean warm water and dry any excess moisture with a dry clean sponge or cloth
- The product can also be spot cleaned with dry cleaning fluid, lightly sponge a small amount of dry cleaning fluid and blot
- Dry away from direct heat and sunlight
- Do not use carpet shampoo