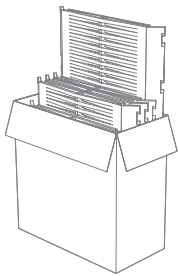


Ecooustic® Weave Tile Installation + Care



ASSEMBLY INSTRUCTIONS

Supplied



5 x Ecoustic Weave Tiles
(Face + Back)
1x Instructions



2 x Spacers

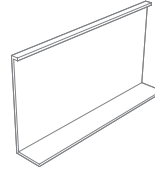
Source



Screws
[4 per tile]



Power drill

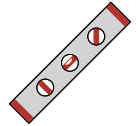


Edge Trim if
required

Essential



Clean hands
Handle with care
during installation

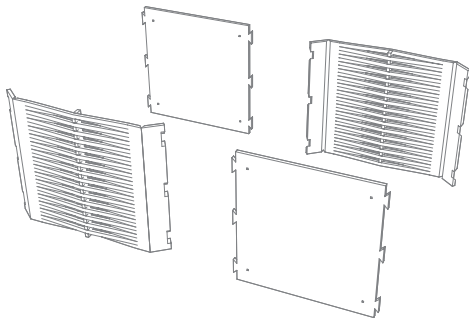


Spirit level

INSTALLATION

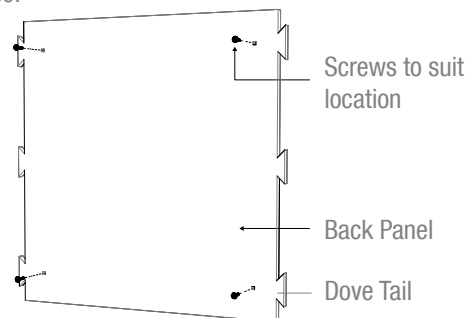
Step 1 - Unpacking

On a clean flat surface remove weave tiles from the box. Identify the 4 mounting holes in each back panel + remove waste from within each hole.



Step 2A - Wall Preparation + Installation of 1st Tile Backing (Without Edge Trim)

Measure + mark out intended tile location on wall using a spirit level or similar to create removable installation reference lines + securely fix back tile to wall through dedicated mounting holes. Please note the orientation of back tile will determine the orientation of the tile face.

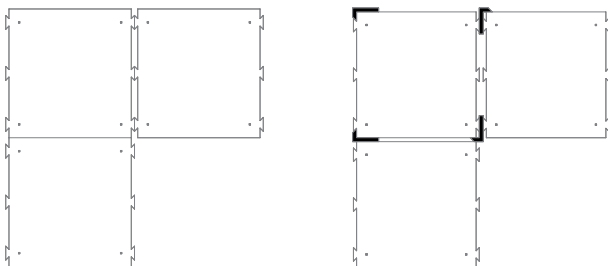


Step 3A - Installation of Multiple Tile Backs (Without Edge Trim)

Please install back tiles first before adding the tile assembly.

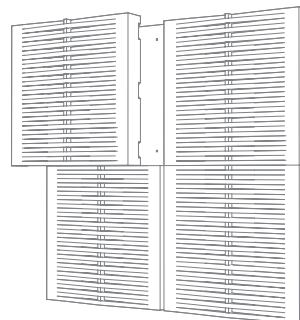
For multiple tiles, repeat step 2A using a spirit level to ensure installation is level.

Two spacers are supplied in each box to use for positioning 15mm voids between tiles if required.



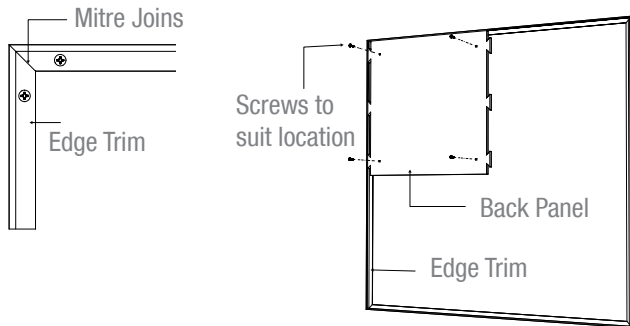
Step 4A - Installing the Tile Face (Without Edge Trim)

Each Weave tile has 2 return flaps hinged from the tile face. Fold the 2 return flaps and maneuver the Weave tile face to align the dovetail rebates of the flaps with the dovetail tabs of the back tile. Apply soft pressure on the edge of tile face to engage the dovetail joints. Follow these steps for each tile face required to complete the installation.



Step 2B - Wall Preparation + Installation of 1st Tile Backing (With Edge Trim)

Measure + mark out final location of tile installation on wall using a spirit level or similar to create removable installation reference lines. Securely fix edge trim to wall around the perimeter of intended installation. Mitre corner joints + ensure edge trims are level + straight. Securely fix tile back panel to wall through dedicated mounting holes ensuring the tile back adjoins the edge trim.

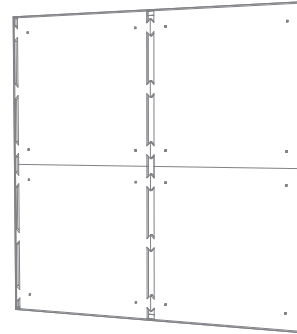


Step 3B - Installation of Multiple Tile Backs (With Edge Trim)

Please Install back tiles first before adding the tile assembly.

For multiple tiles, repeat step 2B using a spirit level to ensure installation is level.

Optional to use spacer to create 15mm void between back panels.

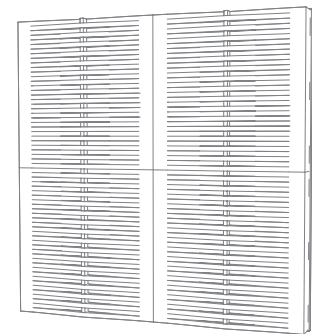
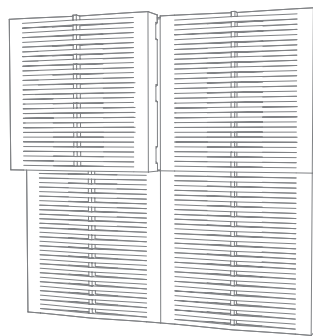
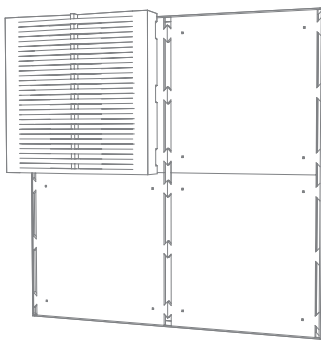


Step 4B - Installing the Tile Face (With Edge Trim)

Each Weave tile has 2 return flaps hinged from the tile face.

Fold the 2 return flaps and maneuver the Weave tile face to align the dovetail rebates of the flaps with the dovetail tabs of back tile.

Apply soft pressure on the edge of tile face to engage the dovetail joints. Follow these steps for each tile face required to complete the installation.



Please Note

- Care must be taken when cleaning as these instructions apply to the fabric face only and the possible effect of the cleaning regime on underlying bases and wall surface must be considered
- For these reasons it is suggested to spot clean only and that it be carried out by a professional cleaner

Regular Care

- Protect from direct heat and sunlight
- To prevent dust build up, lightly dust with a soft cloth or vacuum with a soft brush attachment

Cleaning

- Professional cleaning is always recommended
- Always test any cleaning products on an inconspicuous area prior to commencing cleaning
- Blot any excess spills from the material with a dry clean sponge or cloth
- Treat all stains and spills as soon as possible
- Most marks can be spot cleaned by lightly wetting the affected area with a mild detergent and warm water solution
- Do not saturate the tile
- Do not scrub or abrade the tile surface as this will affect the surface finish
- Once the stain or mark has been loosened then blot the excess solution out with a dry clean sponge or cloth
- Sponge afterwards with clean warm water and dry any excess moisture with a dry clean sponge or cloth
- The product can also be spot cleaned with dry cleaning fluid, lightly sponge a small amount of dry cleaning fluid and blot
- Dry away from direct heat and sunlight
- Do not use carpet shampoo