

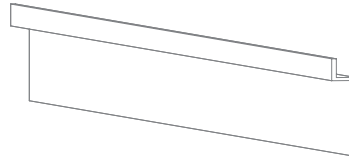
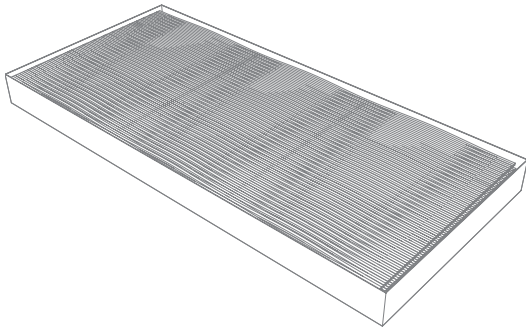
Ecoustic® Weave Panel Installation + Care



INSTYLE

ASSEMBLY INSTRUCTIONS

Supplied



1 x Weave Panel
Installation instructions

2 x Split Battens per panel

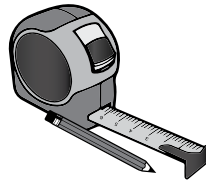
Source



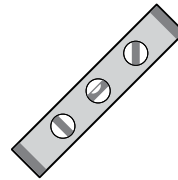
Power drill



Screws

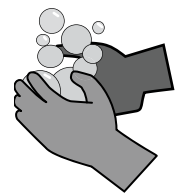


Tape Measure +
Pencil



Spirit level

Essential



Clean hands
Handle with care
during installation

INSTALLATION

Backing Surface Quality

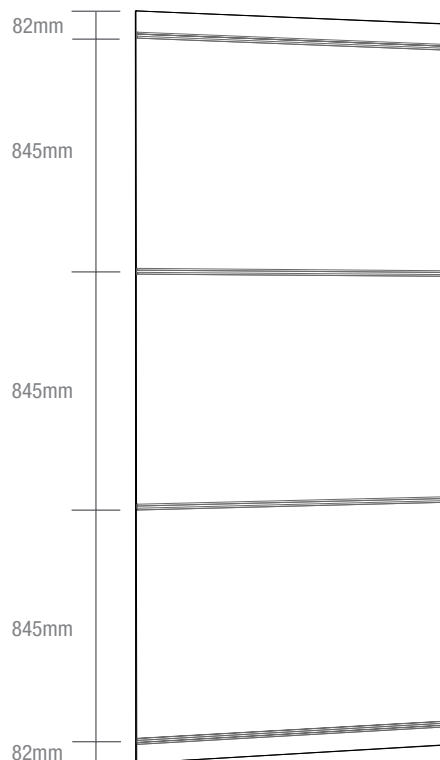
Please Note: Consider the finish + quality of the intended Weave installation backing surface, as the backing surface may be visible through the Weave profiles. A paint or similar finish complementary to the Weave panel is recommended.

Step 1

Remove Weave panels from packaging. Check + confirm all components supplied as per instructions.

Step 2

Check measure location of rails as supplied fixed to rear face of weave panels.



Step 3A - OPTION 1 - FRAMED WEAVE PANELS

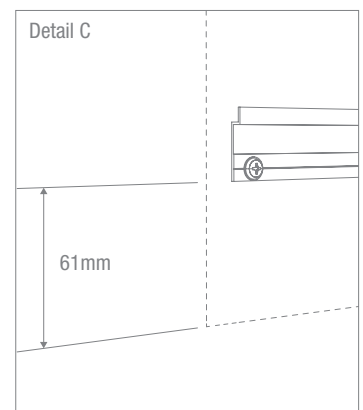
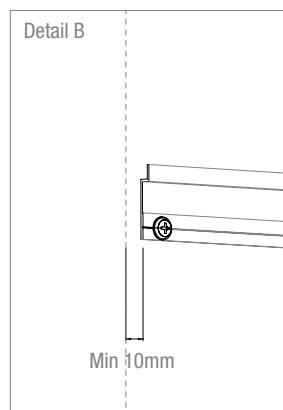
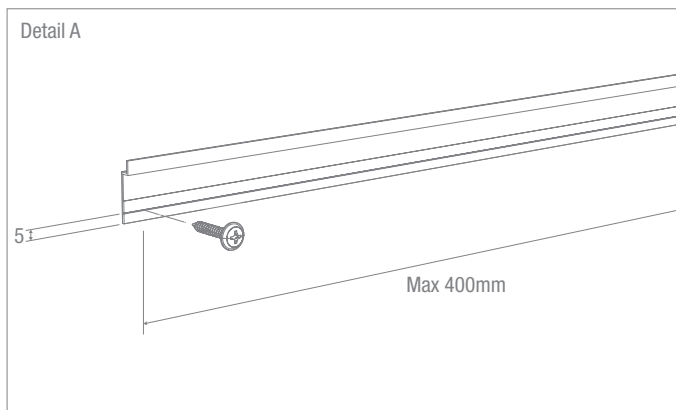
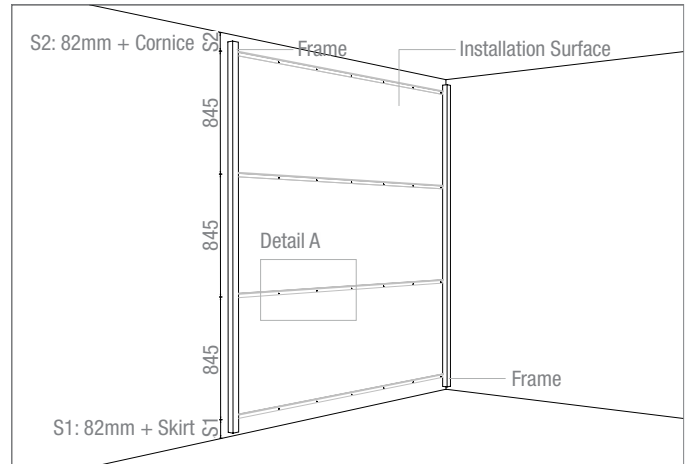
Edging can be used to retain Weave panels together at panel junctions. An alternative option is the use of concealed screws within the Weave split battens (Refer step 6). Check measure intended installation perimeter.

Framing Options

25mm Ecoustic Edging will conceal the mounting hardware with edging front lip recessed approximately 10mm beyond the deepest area of Weave face.

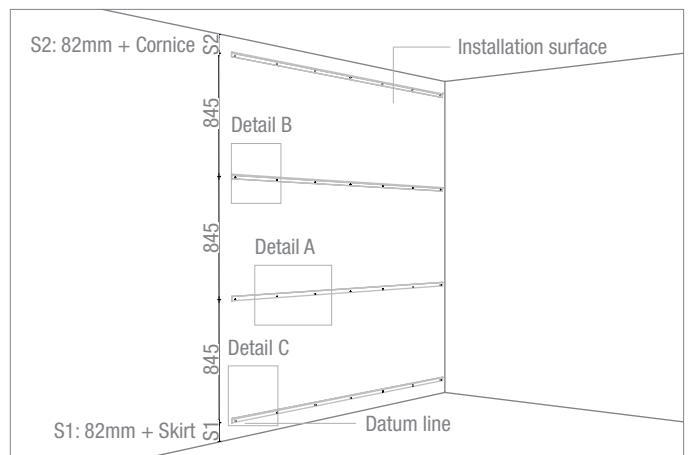
50mm Ecoustic Edging will conceal the mounting hardware with edging front lip extending approximately 15mm forward from the deepest area of Weave face.

Install frame components into intended Weave perimeter locations ensuring 10mm shadow void is incorporated at the top of the installation area for ease of installation.



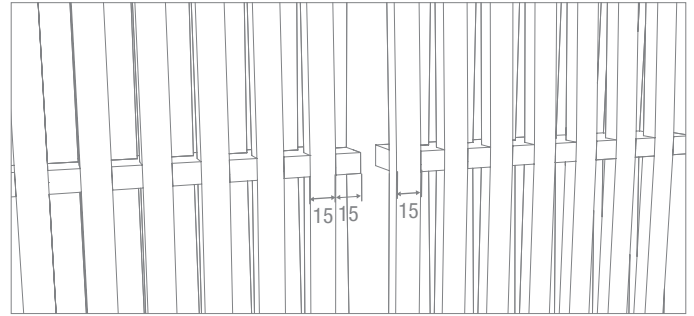
Step 3B - OPTION 2 - NO FRAME

Measure datum line location for battens to be secured to the installation surface, and install battens on the datums as per the illustration guideline. Battens should extend beyond the intended Weave panel junctions if possible to ensure that adjoining weave panels share battens, and be trimmed to minimum 10mm from perimeter of intended installation.



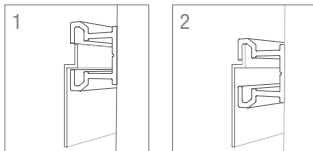
Step 4 - TRIMMING

Each Weave profile measures approx. 15mm in width. Therefore multiples of 15mm are recommended as increments for trimming. Align trimming equipment blades with the edge of Weave profiles. Please note that 2 Weave profiles (or multiples of 2) should be removed if trimming between panel junctions.

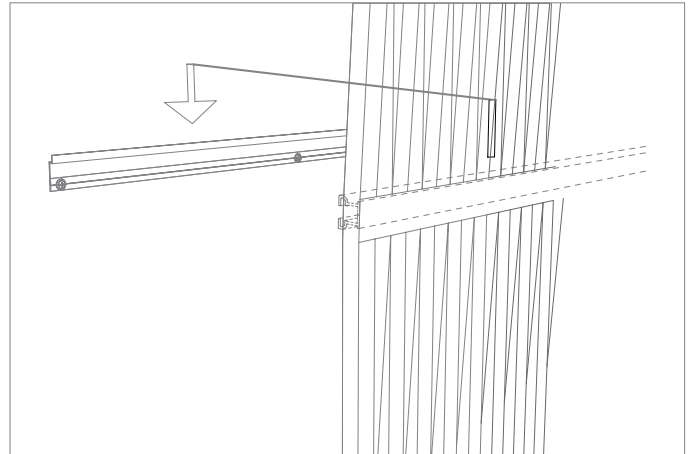


Step 5

1. Position the Weave panel backing rails against the installation surface for Weave rails to straddle the installed wall battens.
2. Gently lower Weave panel ensuring wall battens and Weave rails engage.



3. Slide each additional Weave panel along shared battens toward installed Weave panels to ensure adjoining panel junctions are concealed.

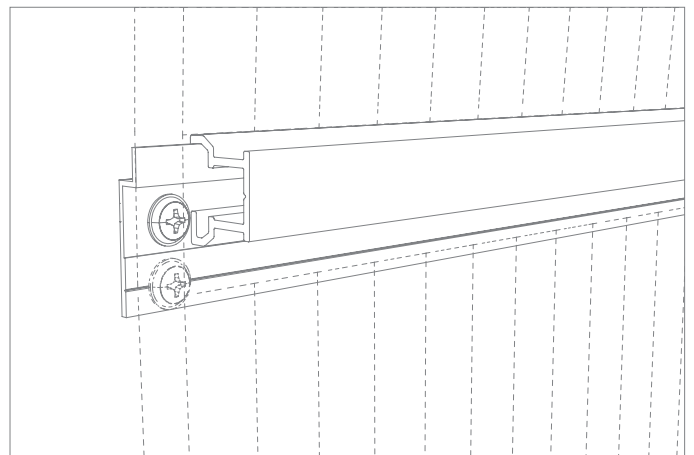


Step 6 - Concealed Method - Retain Weave Panel Junctions

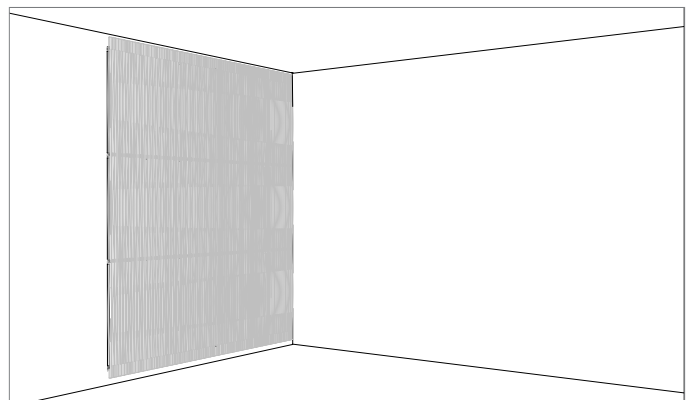
The ecoustic rails secured to rear face of Weave panels are trimmed 50mm (approx. 2 inches) less than each panel width. This provides a void of 25mm (approx. 1 inch) per panel side.

Screw heads secured into wall battens can provide a barrier to prevent rail movement and compress Weave panel junctions together.

To create a screw head barrier the installer simply needs to position the screw into the batten at a point equal to the distance from the nearest panel junction to the intended perimeter, less 25mm + the screw head radius. For example if the distance to the nearest panel junction is 1200mm and the screws used have 12mm heads, the barrier point to insert the screw would be $(1200 - 25) + 6 = 1181\text{mm}$.



Installation Complete



Please Note

- Ecooustic® Weave should be removed from the wall to ensure they can be cleaned safely.
- It is recommended to spot clean only by a professional cleaner.

Regular Care

- Protect from direct heat and sunlight.
- To prevent dust build up, lightly dust with a soft cloth or vacuum with a soft brush attachment.

Spot Cleaning

- Professional cleaning is always recommended.
- Always test any cleaning products on an inconspicuous area prior to commencing cleaning.
- Blot any excess spills from the material with a dry clean sponge or cloth.
- Treat all stains and spills as soon as possible.
- Most marks can be spot cleaned by lightly wetting the affected area with a mild detergent and warm water solution.
- Do not saturate the baffle panel.
- Do not scrub or abrade the fabric as this will affect the surface finish.
- Once the stain or mark has been loosened then blot the excess solution out with a dry clean cloth.
- Sponge afterwards with clean warm water and mop any excess moisture with a dry clean sponge or cloth.
- The surface can also be spot cleaned with dry cleaning fluid. Lightly sponge a small amount of dry cleaning fluid and blot.
- Dry away from direct heat and sunlight.
- Avoid the use carpet shampoos.