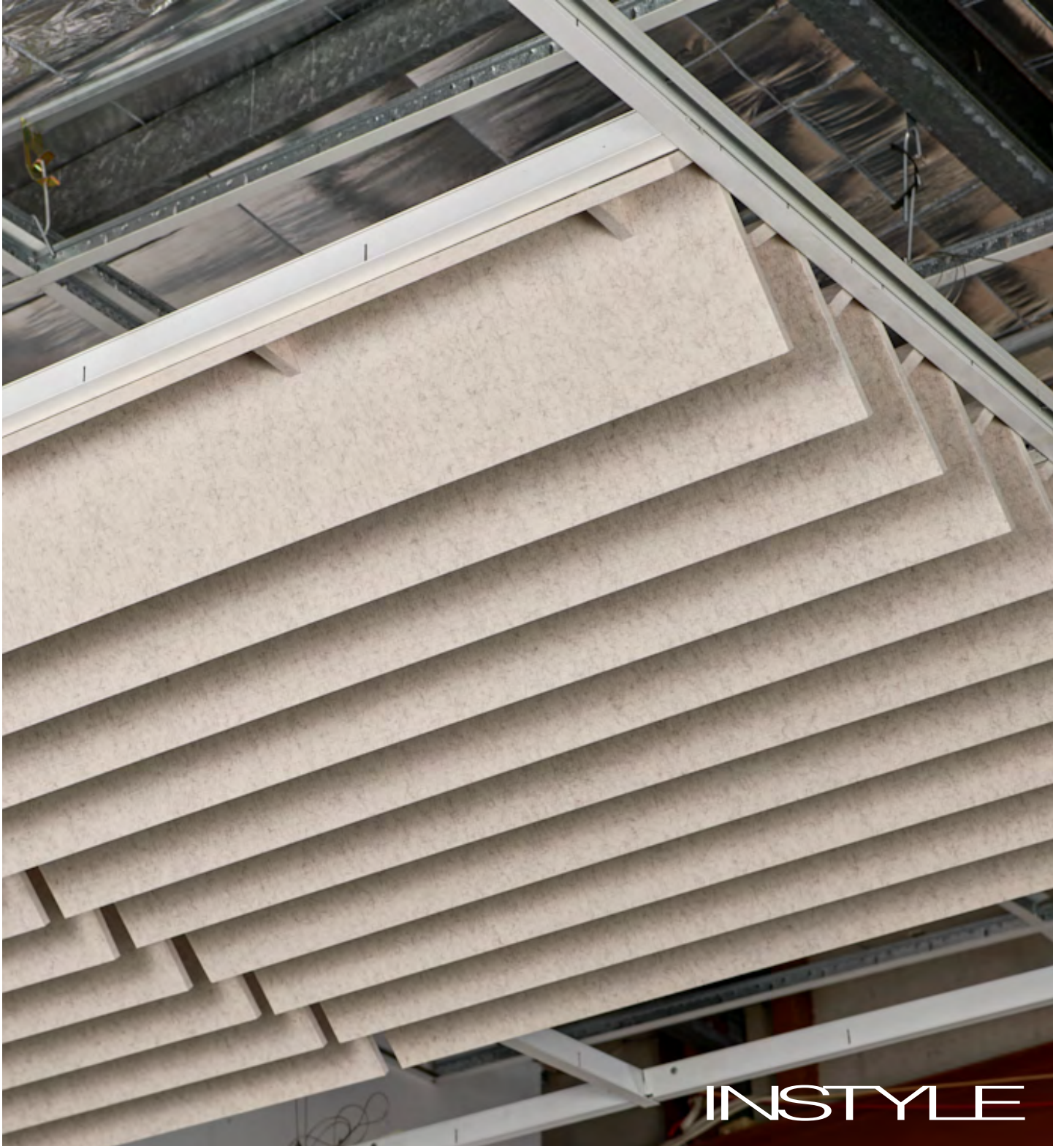
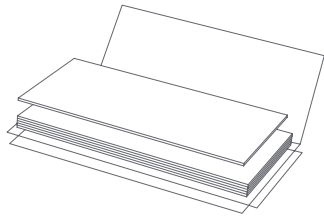


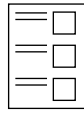
Ecoustic® Sculpt Angle Installation + Care



Supplied

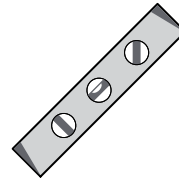


Ecoustic Sculpt in carton



Instructions

Essential



Spirit level



Clean hands



1 x Small End Profiles



4 x Small Profiles



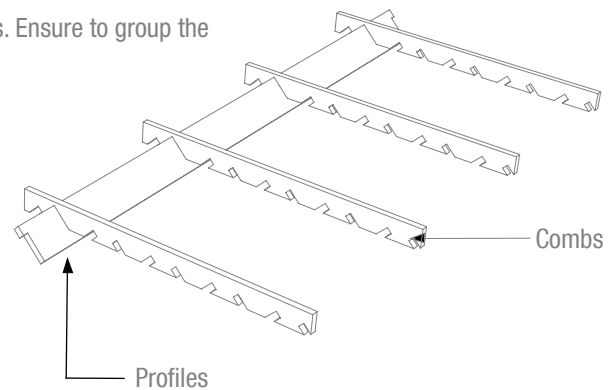
5 x Large Profiles



4 x Combs

Step 1

On a clean flat surface, remove components from the protective surrounds. Ensure to group the similar items together. Identify and separate the combs from the profiles.

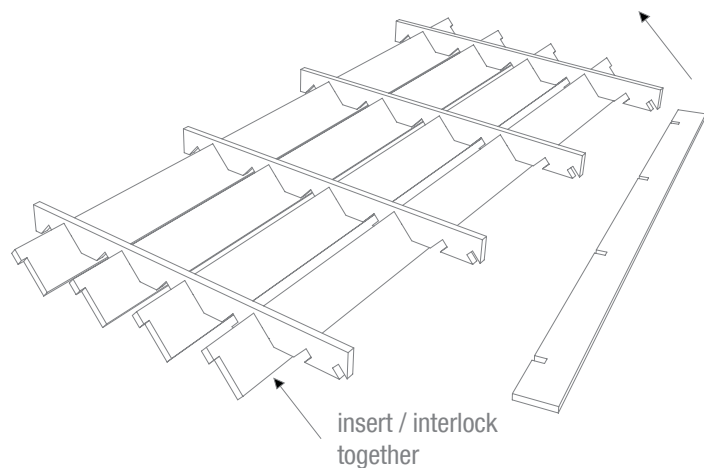


Step 2

Insert a small profile into the combs at 45 degrees. Ensure a firm tight fit.

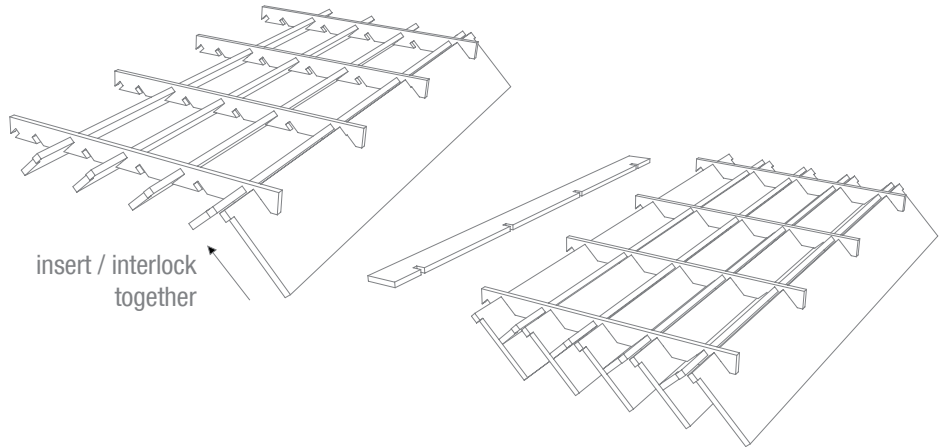
Step 3

Insert the remaining small profiles into the combs shown, ensure to leave the end profile until last. The end profile will be inserted when the tile has been lifted into place.



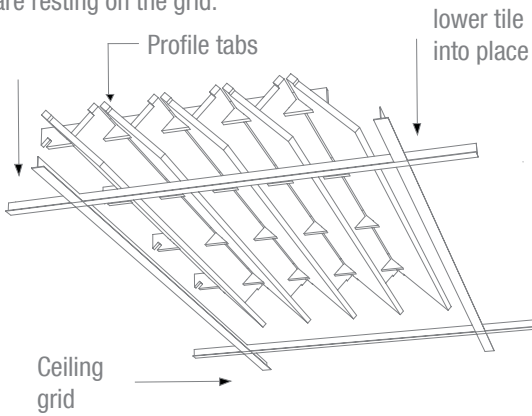
Step 4

Complete the rest of the tile by inserting the large profiles into the assembly at a mirrored position to the smaller profiles already inserted into the combs.



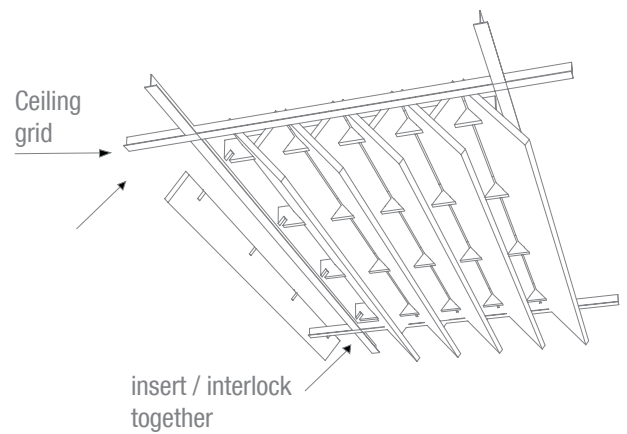
Step 5

Manoeuvre the tile above the ceiling grid and gently lower the tile until the profile tabs are resting on the grid.



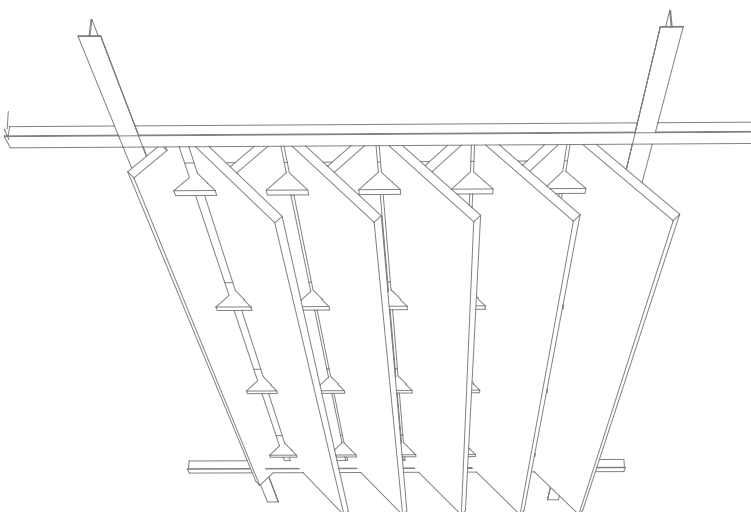
Step 6

Insert the remaining small profile in place. The tile is now complete.

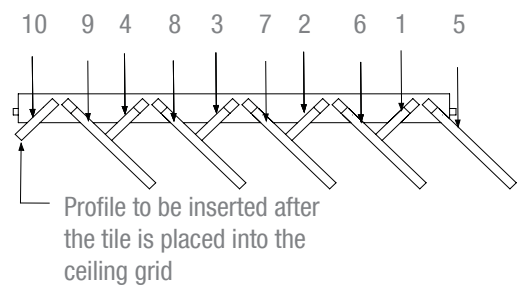


Bottom Perspective

View of tile and grid



Order of Profile Installation



Regular Care

- Protect from direct heat and sunlight
- To prevent dust build up, lightly dust with a soft cloth or vacuum with a soft brush attachment

Cleaning

- Professional cleaning is always recommended
- Always test any any cleaning products on an inconspicuous area prior to commencing cleaning
- Blot any excess spills from the material with a dry clean sponge or cloth
- Treat all stains and spills as soon as possible
- Most marks can be spot cleaned by lightly wetting the affected area with a mild detergent and warm water solution
- Do not saturate the tile
- Do not scrub or abrade the surface as this will affect the surface finish
- Once the stain or mark has been loosened then blot the excess solution out with a dry clean sponge or cloth
- Sponge afterwards with clean warm water and dry any excess moisture with a dry clean sponge or cloth
- The product can also be spot cleaned with dry cleaning fluid, lightly sponge a small amount of dry cleaning fluid and blot
- Dry away from direct heat and sunlight
- Do not use carpet shampoo