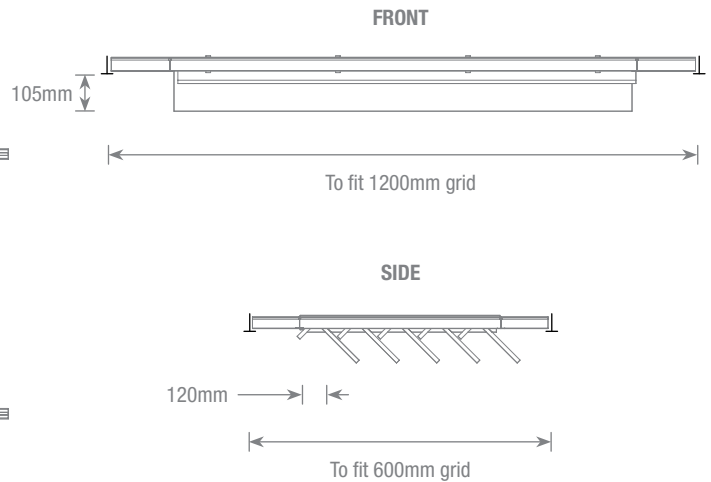
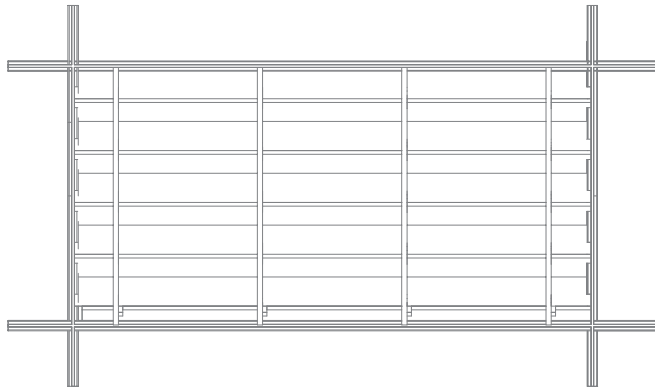


Sculpt® Angle Tile

—
A timeless acoustic drop-in ceiling tile with angled blades designed by Tzannes Architecture



Bottom View - RCP



(Nominal to suit either 15mm or 24mm grid sizes)

PRODUCT	Ecoustic® Sculpt® Angle Ceiling Tile
DESCRIPTION	Designed by Tzannes Architecture + Instyle Design Studio, Ecoustic® Sculpt® Angle is a high-performance acoustic drop-in ceiling tile the angled blades achieve superior acoustic performance, diffusion + show subtle gradiated light.
DIMENSIONS	1200 Tile: 1195mm x 595mm Drops into new or existing T-Frame suspended ceiling systems with a 1200 x 600mm grid
COMPOSITION	100% PET
ACOUSTIC	NRC 1.0 - 1.05 [^] / αw 0.95 - 1.0 [^] (400mm airgap) Refer to acoustic results on page 4
FIRE TEST	
AS/ISO 9705	Group 1 SMOGRA <100
	NZBC Group 1-S
ASTM E84	12mm: Class A
APPLICATION	Drop-in ceiling tile
ORIGIN	Designed + made in Australia
WARRANTY	A 12 month warranty is provided against manufacturing defects. This applies to internal installation only, outdoor use will void any warranty

Designed for the Environment



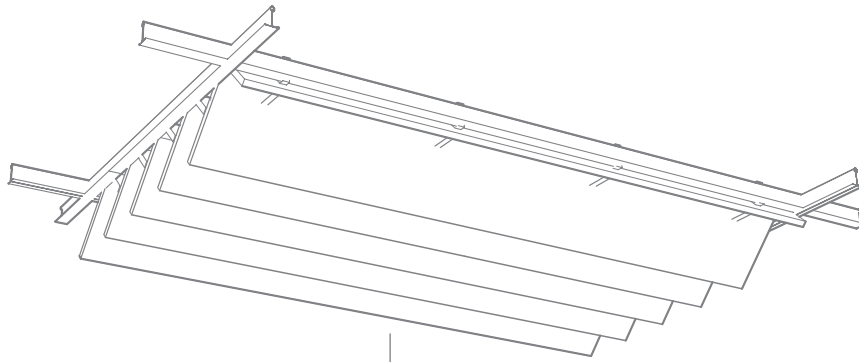
Building Rating Systems: Sculpt Angle will contribute the following points for Green Star, LEED + WELL building standards.

Criteria	Green Star	LEED	WELL
Low VOC	✓	✓	✓
Stewardship - Recycling	✓	✓	NA
Cradle to Cradle Certification	NA	✓	✓
Declare Label	NA	✓	✓
Manufacturer EMS	✓	NA	NA
Toxic Material Reduction	NA	NA	✓

HOW TO SPECIFY

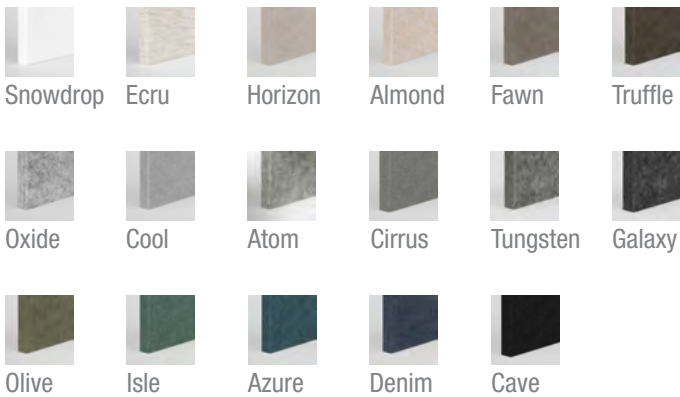
DESIGN	Ecoustic® Sculpt® Angle
PROFILE THICKNESS	12mm
COLOUR	Select from SC 12mm colours
TILE SIZE	1200 x 600mm or custom grid
GRID SIZE / DIRECT FIX	Specify 15mm / 24mm
ECOUSTIC® INFILL	Optional extra - order separately

Please contact your representative for CAD drawings



Sculpt® Angle
1200 Tile: 4 tiles per box in a single colour

Ecoustic® SC 12mm



IMPORTANT

Drop-In Ceiling Grid Specification: Sculpt® Angle is designed to be compatible with 15mm and 24mm Exposed Tee grid systems. Ensure the tile is suitable for your selected system and specify either 15mm or 24mm grid prior to ordering.

Weight: Each Sculpt® Angle 600 ceiling tile weighs 2.3kg or less.

Moisture Absorption: After four days at 50°C, 95% RH the moisture absorbency of SC 12mm was less than 0.3% by weight. As Sculpt® Angle is 100% polyester, it will not degrade over time due to moisture, mildew or rot in office environments.

Fixtures: Any fixture must be supported independently from the Sculpt® Angle tile. The tiles can be cut on site to accommodate new and existing lighting and fixtures. When cutting use a new blade for each cut and ensure the area to be cut is fully supported. Cut the tile face with care.

HVAC: Ensure Sculpt® Angle is compliant with the specified HVAC system. Sculpt® Angle is suitable for Ducted Return Air.

Back Loading: Sculpt® Angle is not suitable for back loading. Loads must be supported independently by the grid or through the use of additional fixtures.

Toxicity: Polyester is non-toxic and is classed the same as wood under the State of New York Article 15 Part 1120. The raw material SC Panel is certified with Declare and does not contain any Red List Chemicals (USA EPA).

Ecoustic® Sculpt® Angle Tile NRC 1.0 - 1.05[^] / αw 0.95 - 1.0[^] (400mm airgap)

