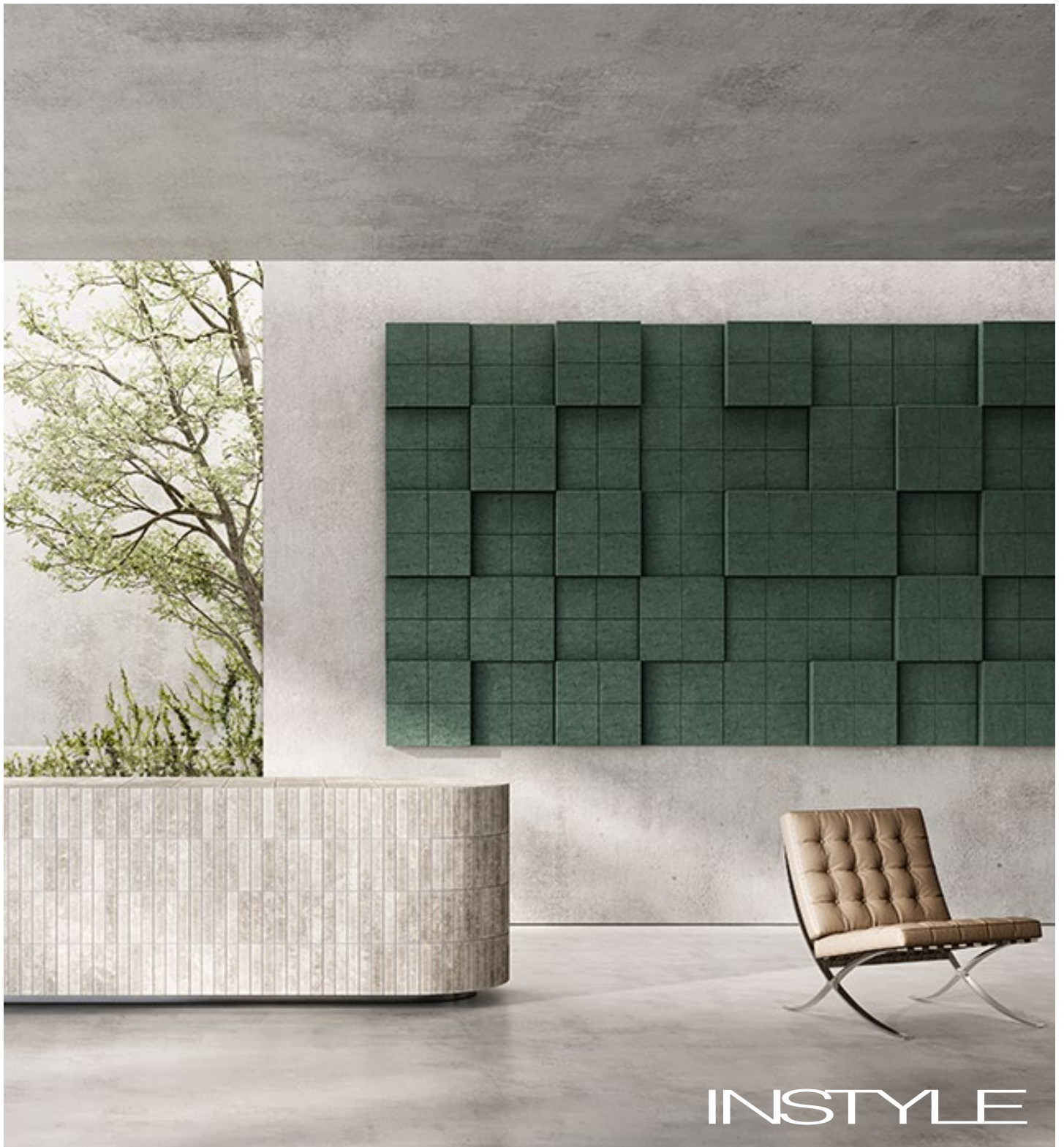
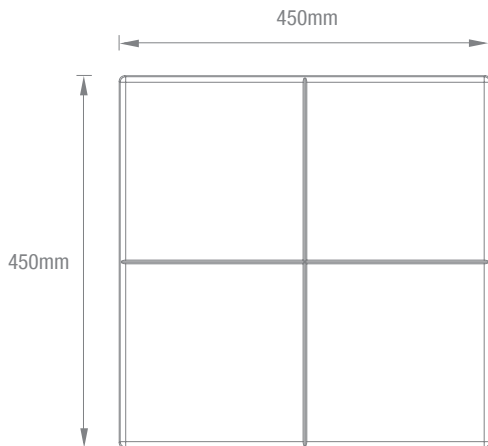


Ecoustic® Quad Tile

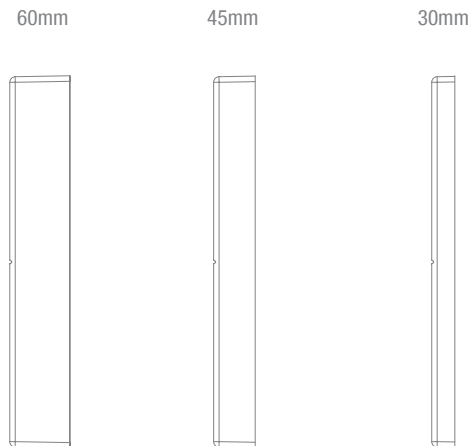
—
A versatile acoustic modular wall tile available in three depths to create elegant shadow effects



Front View



Side View



PRODUCT	Ecoustic® Quad Tile	
COMPOSITION	100% polyester (<23% PC + PI recycled PET)	
DIMENSIONS	450mm (w) x 450mm (h) 3 tile depths: 30mm / 45mm / 60mm (d)	
ACOUSTIC	NRC 0.75 - 1.0, refer to acoustic graphs on pg 4	
FIRE TEST AS/ISO 9705	Group 1 SMOGR <100	
AS/NZS 1530.3	Ignitability	9
	Spread of Flame	0
	Heat Evolved	3
	Smoke Developed	6
GB8624-2012	Grade B1	
APPLICATION	Wall tiles	
ORIGIN	Designed and made in Australia	
WARRANTY	A 12 month warranty is provided against manufacturing defects. Internal installation only, outdoor use will void any warranty	

Please contact your representative for CAD drawings

BENEFITS

Lightweight, Easy to Handle + Install: Position the 4-way clips using the template provided, then simply press the tile into place. The tiles can be easily moved or extended at a later stage.

Designed for the Environment

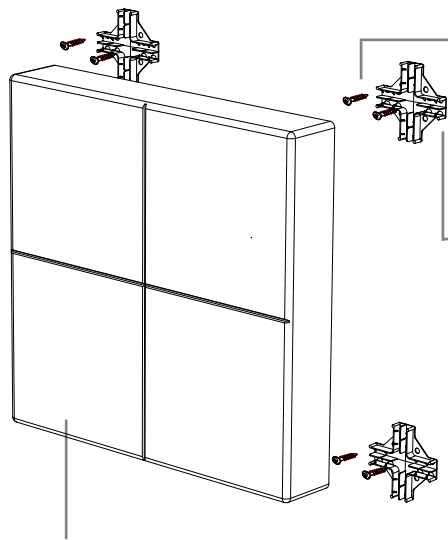


Building Rating Systems: Quad Tile will contribute the following points for Green Star, LEED + WELL building standards.

Criteria	Green Star	LEED	WELL
Recycled Content	√	√	NA
Low VOC	√	√	√
Recycling Program	√	√	NA
EPD	√	√	NA
Declare Label	NA	√	√
Greentag Level A Certification	√	√	√
Toxic Material Reduction	NA	NA	√
Sound Reducing Surfaces	NA	NA	√

HOW TO SPECIFY

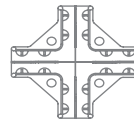
DESIGN	Ecoustic® Quad Tile
COLOUR	Select from Ecoustic® Felt colours
TILE DEPTH	30mm / 45mm / 60mm
TILES PER BOX	60mm Tile: 6 tiles per box in a single colour 45mm Tile: 6 tiles per box in a single colour 30mm Tile: 8 tiles per box in a single colour
ECOUSTIC® INFILL	Infill 40 - Quad 45 + 60: 6 infills per box Infill 20 - Quad 30: 8 infills per box



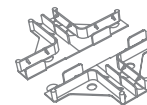
Screws
Flat-head c/sunk 25mm 10g
[2 per 4-way clip]
Not supplied

4 way clip
Clear ABS
6 + 1 spare 4-way clips are supplied with 60mm + 45mm tiles per box
8 + 1 spare 4-way clips are supplied with 30mm tile per box
One tile clip template is included in each box

Ecoustic® Quad Tile
100% polyester (up to 23% recycled content)
6 tiles per box of 60mm in a single colour
6 tiles per box of 45mm in a single colour
8 tiles per box of 30mm in a single colour



Complete
Use a complete clip for each junction of 4 tiles



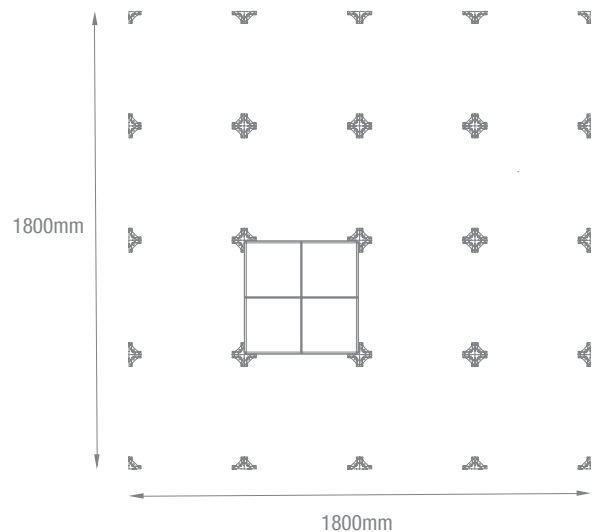
Half
Break a clip in half for each straight edge 2 tile joins



Quarter
Break clip into quarters for each single tile corner



Example 1800mm x 1800mm Clip Layout



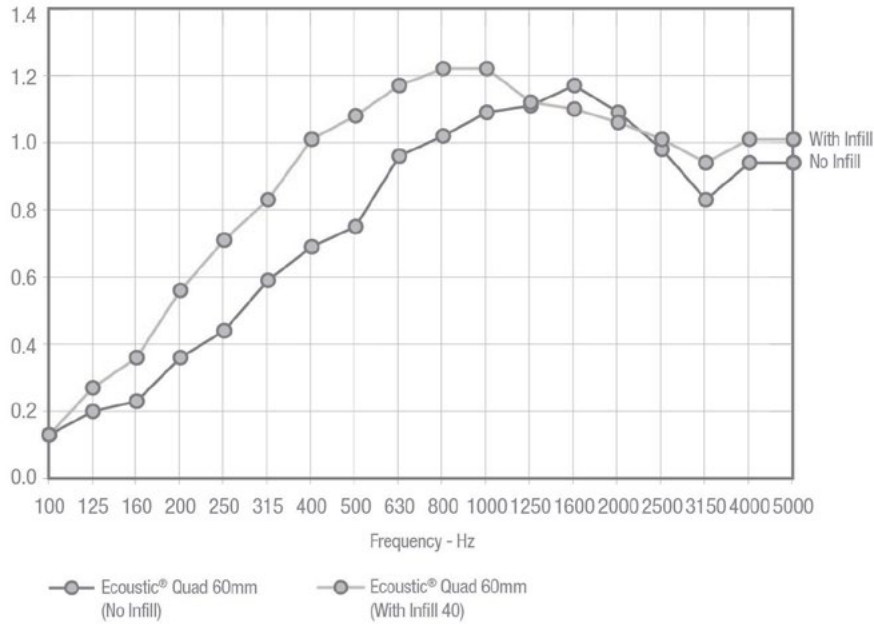
Product may vary in colour due to the nature of the media
Please refer to website for current colour range
Variation in fibre mix and colour is an inherent feature of this product and variation from batch to batch may occur

60mm Tile + Ecoustic® Infill 40

NRC 1.0 / α_w 0.95 M,H / SAA 1.01
 Excellent absorption NRC 1 (400Hz-2500Hz) and >4000 Hz

60mm Tile (No Infill)

NRC 0.85 / α_w 0.7 M,H / SAA 0.85



60mm + 45mm Tile (50%) + Ecoustic® Infill 40

NRC 1.0 / α_w 0.90 M,H / SAA 0.98

60mm + 45mm Tile (50%) (No Infill)

NRC 0.75 / α_w 0.78 M,H / SAA 0.65

