

# Ecooustic® Ceiling Flat Timbre

—  
Acoustic drop-in ceiling tiles with a timber print,  
Group 1 fire rating + Cradle to Cradle certification

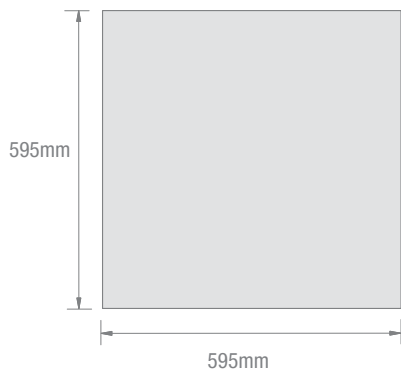


INSTYLE

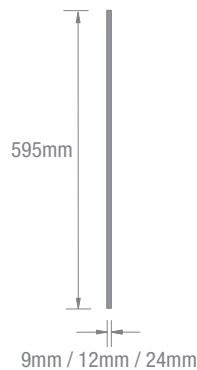
# Ecoustic® Ceiling Flat Timbre

## Front View

600 Tile: 595 x 595mm



## Side View



## Front View

1200 Tile: 1195 x 595mm



<b>PRODUCT</b>	Ecoustic® Ceiling Flat Timbre
<b>DESCRIPTION</b>	Ecoustic® Ceiling Flat Timbre is an acoustic drop-in ceiling tile with a timber print, printed on SC panels in 9mm, 12mm + 24mm thickness
<b>DIMENSIONS</b>	600 Tile: 595mm (w) x 595mm (h) 1200 Tile: 1195mm (w) x 595mm (h) Drops into new or existing T-Frame suspended ceiling systems with a nominal 600 x 600mm or 1200 x 600mm grid
<b>THICKNESS</b>	Available in 3 thicknesses: 9mm, 12mm, 24mm
<b>ACOUSTIC</b>	SC 9mm: NRC 0.85 / $\alpha_w$ 0.78 (200mm airgap) SC 12mm: NRC 0.85 / $\alpha_w$ 0.8 (200mm airgap) SC 24mm: NRC 0.95 / $\alpha_w$ 0.95 (200mm airgap)
<b>FIRE TEST</b>	Group 1
<b>AS/ISO 9705</b>	SMOGR $<100$  NZBC Group 1-S
<b>ASTM E84</b>	9mm: Class C 12mm: Class A
<b>APPLICATION</b>	Drop-in ceiling tiles
<b>WARRANTY</b>	A 12 month warranty is provided against manufacturing defects. This applies to internal installation only, outdoor use will void any warranty
<b>PLEASE NOTE</b>	Similar to genuine timber there may be colour variations from batch to batch and across the three thicknesses

## Designed for the Environment

- Printed with leading HP low-VOC water-based latex ink technology, see more on Sustainability section
- Ozone-free, no hazardous air pollutants, nickel-free, PVC-free + odourless printing ink is US Greenguard Gold-certified + Ecologo certified



**Building Rating Systems:** Ceiling Flat Timbre will contribute the following points for Green Star, LEED + WELL building standards.

Criteria	Green Star	LEED	WELL
Low VOC	✓	✓	✓
Stewardship - Recycling	✓	✓	NA
Cradle to Cradle Certification	-	✓	✓
Declare Label	NA	✓	✓
Manufacturer EMS	✓	NA	NA
Toxic Material Reduction	NA	NA	✓

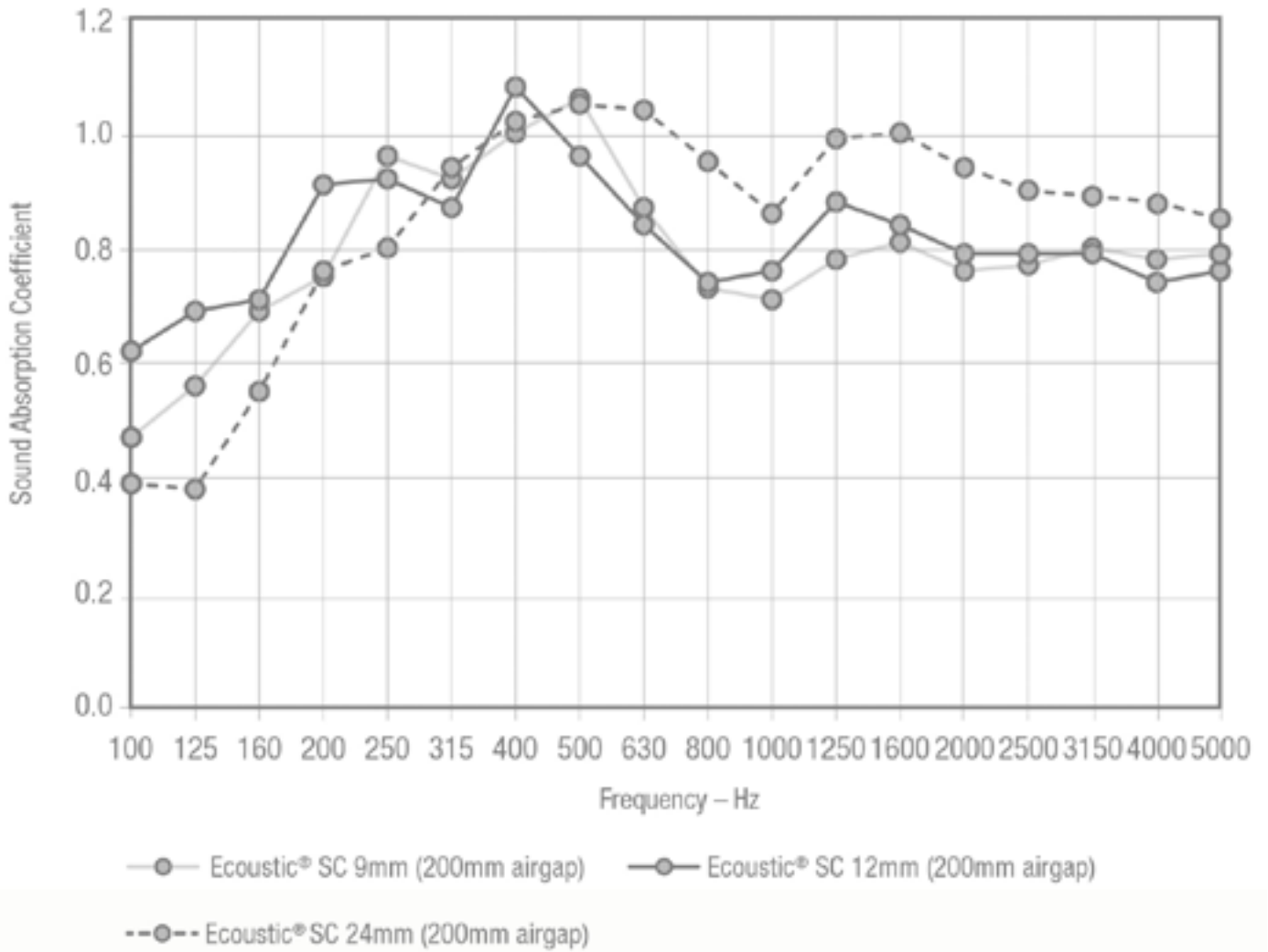
HOW TO SPECIFY	
PRODUCT	Ecoustic® Ceiling Flat Timbre
TILE SIZE	600 Tile or 1200 Tile
THICKNESS	9mm, 12mm, 24mm
COLOUR	Select from Ecoustic Timbre finishes

Please contact your representative for CAD drawings

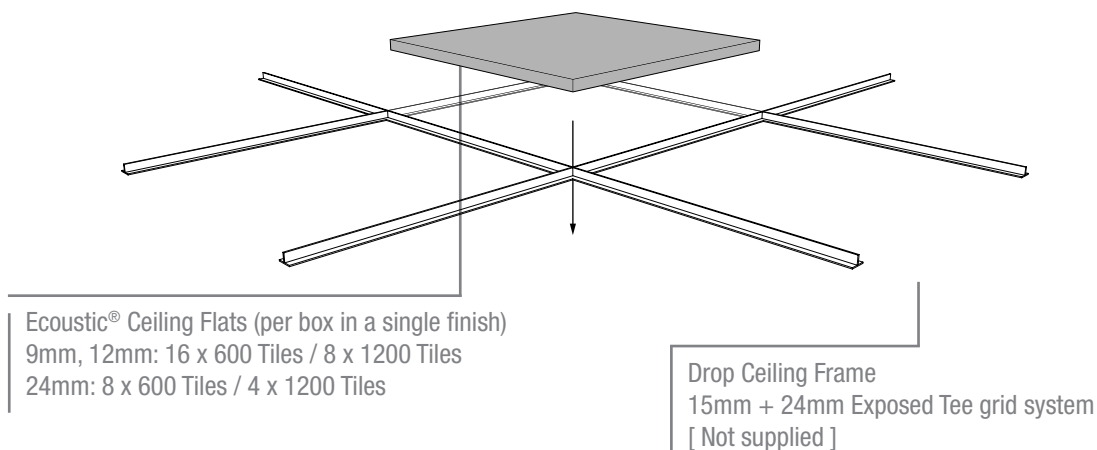
# Acoustic Performance

Ecoustic® Ceiling Flats SC 9mm  
 Ecoustic® Ceiling Flats SC 12mm  
 Ecoustic® Ceiling Flats SC 24mm

NRC 0.85 /  $\alpha_w$  0.78 (200mm airgap)  
 NRC 0.85 /  $\alpha_w$  0.8 (200mm airgap)  
 NRC 0.95 /  $\alpha_w$  0.95 (200mm airgap)



# Ecoustic® Ceiling Flat Timbre Components



## Timbre Finishes



TIMBRE Nordic



TIMBRE Maine



TIMBRE Rural



TIMBRE Heritage



TIMBRE Artisan



TIMBRE Smoked



TIMBRE Urban

## IMPORTANT

**Drop-In Ceiling Grid Specification:** Ecoustic® Ceiling Flat Timbre is designed to be compatible with 15mm and 24mm Exposed Tee grid systems. Ensure the tile is suitable for your selected system prior to ordering.

**Moisture Absorption:** After four days at 50°C, 95% RH the moisture absorbency of SC 12mm and SC 24mm was less than 0.3% and 2.9% by weight respectively. As Ecoustic® Ceiling Flat Timbre is 100% polyester, it will not degrade over time due to moisture, mildew or rot in office environments.

**Fixtures:** Any fixtures must be supported independent to the Ecoustic® Ceiling Flat Timbre tile. The tiles can be cut on site to accommodate for new and existing lighting and fixtures. When cutting use a new blade for each cut and ensure the area to be cut is fully supported throughout. Cut from the tile face with care.

**HVAC:** Ensure Ecoustic® Ceiling Flat Timbre is compliant with the specified HVAC system. Ecoustic® Ceiling Flat Timbre is recommended for Ducted Return Air and is not Plenum Return Air rated.

**Back Loading:** Ecoustic® Ceiling Flat Timbre is not suitable for back loading. Loads must be supported independently by the grid or through the use of additional fixtures.

**Toxicity:** Polyester is non-toxic and is classed the same as wood under the State of New York Article 15 Part 1120. Ecoustic® Ceiling Flat Timbre does not contain any Red List Chemicals (USA EPA).

# HP Inc. Latex Print Sustainability

## Latex Print Benefits

	HP Latex Print
Non-Reactive	√
Non-Hazardous Ink	√
Low VOC	√
Odourless	√
Ink Supply Recycling	Non-hazardous ink + free take back program

- HP Latex Inks contain up to 65% water. Using water-based inks eliminates exposure to high solvent concentrations, and simplifies ventilation, storage, and transportation requirements
- Ozone free: No ground level ozone is generated with HP Latex Inks. Ground level ozone generation is associated with the UV ink curing process when mercury UV lamps are used.
- No HAPs: No Hazardous Air Pollutants (HAPs) present in HP Latex Inks. HAPs are those pollutants that are known or suspected to cause cancer or other serious health effects, such as reproductive effects or birth defects, or adverse environmental effects
- Odourless prints: Intensity and hedonic testing indicates weak and neutral odour for HP Latex Ink and UV ink is rated as distinct and unpleasant odour.

## Ecologo Certification

A prominent, voluntary certification issued by UL and recognised worldwide. Ecologo® Certification to UL 2801 demonstrates that an ink meets a range of multi-attribute, lifecycle-based stringent criteria related to human health and environmental considerations. The standard criteria include testing for heavy metals content and solvents, requirements for low VOC content levels, as well as product recyclability. HP is the only printing company to have Ecologo® Certified inks.

## Greenguard Gold Certification

A prominent, voluntary third-party certification issued by UL and recognised worldwide. UL Greenguard Gold Certification to UL 2818 demonstrates that products are certified to UL Greenguard standards for low chemical emissions into indoor air during product usage. UL Greenguard Gold Certification indicates that products, including inks, printed substrates, and the combination of both for indoor applications, contribute to healthier indoor environments by minimizing potential exposure to airborne chemicals.

## HP In Action

- HP Named to DJSI World Index, FSTE4Good, CDP Climate A List, and EcoVadis CSR Ratings
- Has one of most diverse board of directors among U.S. technology companies
- Sourced 550,000 pounds of ocean-bound plastic to make new HP ink cartridges
- Committed to achieving 100% renewable electricity usage in global operations
- Pledged to enable better learning outcomes for more than 100M people by 2025
- First to publish supply chain responsibility code of conduct and industry-leading standards