

# Ecoustic® Torque Ceiling

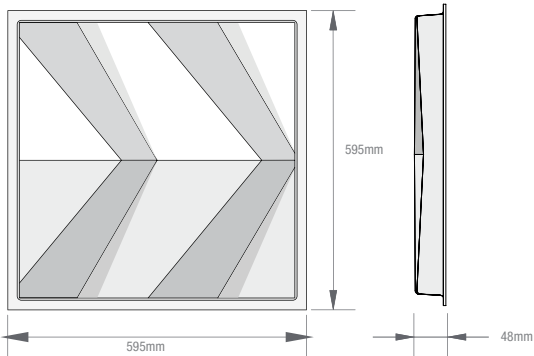
—  
A highly functional acoustic drop-in ceiling tile that is easy to install



INSTYLE

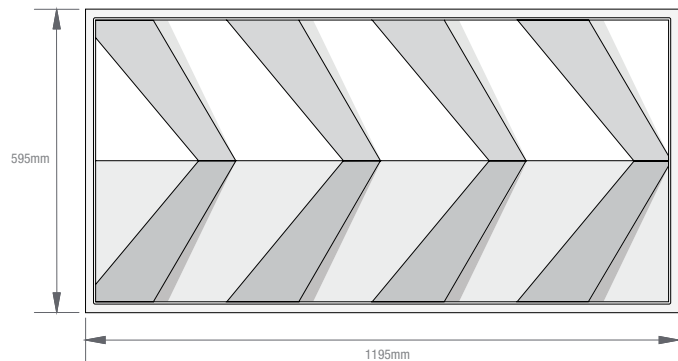
# Ecoustic® Torque Ceiling Tile

**Front View**  
600 Tile: 595 x 595mm



**Side View**

**Front View**  
1200 Tile: 1195 x 595mm

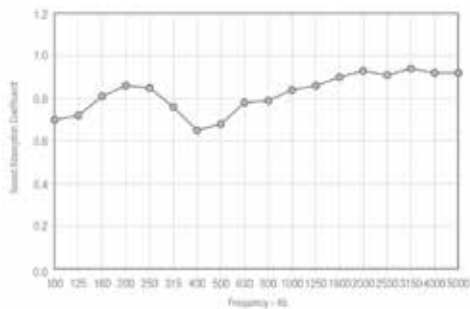


**PRODUCT** Ecoustic® Torque Ceiling Tile  
Ecoustic® Torque Coffered Ceiling Tile

**DESCRIPTION** Ecoustic® Torque is an acoustic drop-in ceiling tile that provides outstanding low and mid-range frequency performance, also available in Coffered version for low ceilings

**DIMENSIONS** 600 Tile: 595mm (w) x 595mm (h) x 48mm (d)  
1200 Tile: 1195mm (w) x 595mm (h) x 48mm (d)  
Torque Ceiling Tile drops into new or existing 15mm and 24mm Exposed Tee drop ceiling grid systems with a nominal 600 x 600mm or 1200 x 600mm grid. Ensure the tile is suitable for your selected system prior to ordering

**ACOUSTIC**  $\alpha_w$  0.8 / NRC 0.8 (400mm air cavity)



**FIRE TEST** AS/ISO 9705  
Group 1  
SMOGRA <100

GB8624-2012 Grade B1

**APPLICATION** Drop-in ceiling tiles

**ORIGIN** Made in Australia

Please contact your representative for CAD drawings

## BENEFITS

### Designed for the Environment

- Based on low energy manufacturing
- 100% polyester (up to 32.5% PC + PI recycled content)
- Designed for disassembly + recyclable
- Low-VOC, EPD + Greentag Level A Certified

**Toxicity:** Polyester is non-toxic and is classed the same as wood under the State of New York Article 15 Part 1120. Torque Ceiling Tile does not contain any Red List Chemicals (USA EPA).

**Warranty:** A 12 month warranty is provided against manufacturing defects. Internal installation only, outdoor use will void any warranty.

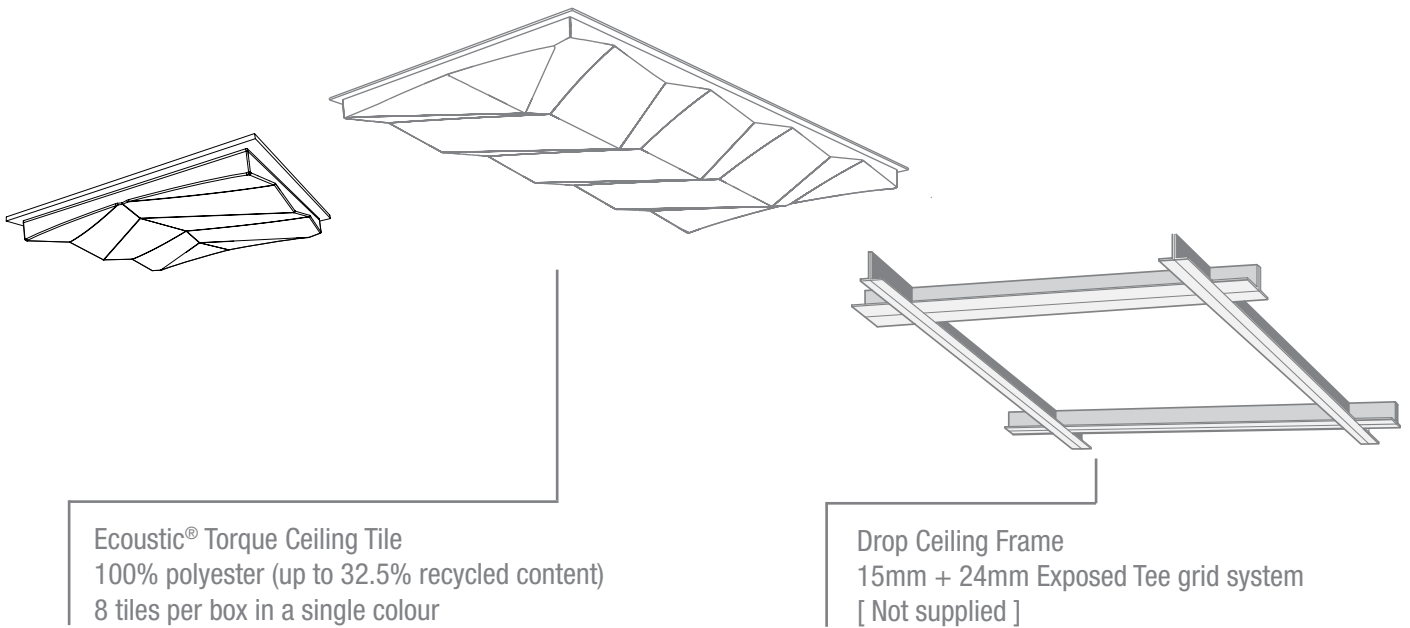
**Building Rating Systems:** Torque will contribute the following points for Green Star, LEED + WELL building standards.

Criteria	Green Star	LEED	WELL
Recycled Content	✓	✓	NA
Low VOC	✓	✓	✓
Recycling Program	✓	✓	NA
EPD	✓	✓	NA
Third Party Greentag Level A Certification	✓	✓	✓
Toxic Material Reduction	NA	NA	✓
Sound Reducing Surfaces	NA	NA	✓

## HOW TO SPECIFY

<b>DESIGN</b>	Ecoustic® Torque Ceiling Tile Ecoustic® Torque Coffered Ceiling Tile
<b>TILE SIZE</b>	600 Tile or 1200 Tile
<b>COLOUR</b>	Select from Ecoustic® Felt colours

# Ecoustic® Torque Ceiling Tile Components



Ecoustic® Torque Ceiling Tile  
100% polyester (up to 32.5% recycled content)  
8 tiles per box in a single colour

Drop Ceiling Frame  
15mm + 24mm Exposed Tee grid system  
[ Not supplied ]

White	Cream	Natural	Oatmeal	Quartz	Taupe
Opal	Dove	Oyster	Light Grey	Pewter	Charcoal
Spray	Sky	Baltic	Nautical	Cobalt	Indigo
Fresco	Lime	Green	Field	Caper	Aqua
Yellow	Lemon	Orange	Paprika	Red	Berry
Cameo	Aubergine	Fossil	Jet		

## IMPORTANT

**Moisture Absorption:** Exposure to an atmosphere of 50% and 95% RH for four days provides moisture absorption of less than 0.2% per volume. As Torque Ceiling tile is 100% polyester, it will not degrade over time due to moisture, mildew or rot in office environments.

**Fixtures:** Fixtures must be supported independent to the ceiling tile. Torque can be cut on site to accommodate for new and existing lighting and fixtures. When cutting, use a new blade for each cut and ensure the cutting area is fully supported throughout. Cut from the tile face with care.

**HVAC:** Ensure Torque Ceiling Tile is compliant with the specified HVAC system. Torque Ceiling Tile is recommended for Ducted Return Air and is not Plenum Return Air rated.

**Back Loading:** Torque Ceiling Tile is not suitable for back loading. Loads must be supported independently by the grid or through the use of additional fixtures.

Product may vary in colour due to the nature of the media

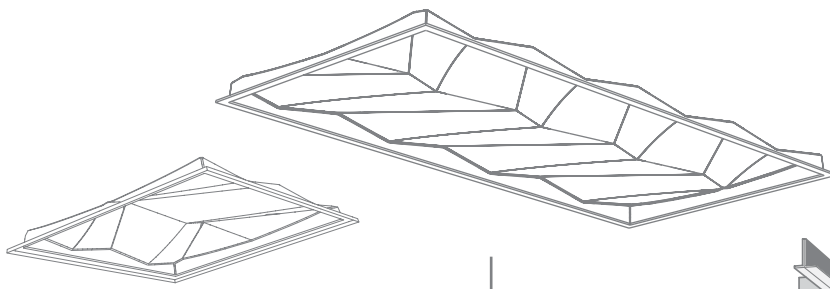
Please refer to website for current colour range

Variation in fibre mix and colour is an inherent feature of this product and variation from batch to batch may occur

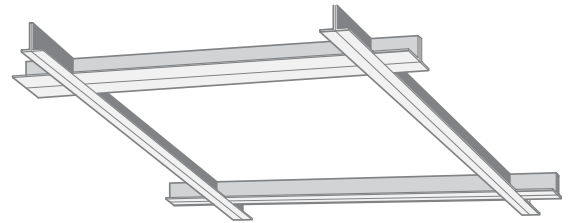


**Ecoustic® Torque  
Coffered Ceiling Tile**

# Ecoustic® Torque Coffered Ceiling Tile Components



Ecoustic® Torque Coffered Ceiling Tile  
100% polyester (up to 32.5% recycled content)  
8 tiles per box in a single colour



Drop Ceiling Frame  
15mm + 24mm Exposed Tee grid system  
[ Not supplied ]



## IMPORTANT

**Moisture Absorption:** Exposure to an atmosphere of 50% and 95% RH for four days provides moisture absorption of less than 0.2% per volume. As Torque Ceiling tile is 100% polyester, it will not degrade over time due to moisture, mildew or rot in office environments.

**Fixtures:** Fixtures must be supported independent to the ceiling tile. Torque can be cut on site to accommodate for new and existing lighting and fixtures. When cutting, use a new blade for each cut and ensure the cutting area is fully supported throughout. Cut from the tile face with care.

**HVAC:** Ensure Torque Ceiling Tile is compliant with the specified HVAC system. Torque Ceiling Tile is recommended for Ducted Return Air and is not Plenum Return Air rated.

**Back Loading:** Torque Ceiling Tile is not suitable for back loading. Loads must be supported independently by the grid or through the use of additional fixtures.

Product may vary in colour due to the nature of the media

Please refer to website for current colour range

Variation in fibre mix and colour is an inherent feature of this product and variation from batch to batch may occur