

# Ecoustic® Soffit Absorber

—  
A highly functional acoustic  
ceiling soffit

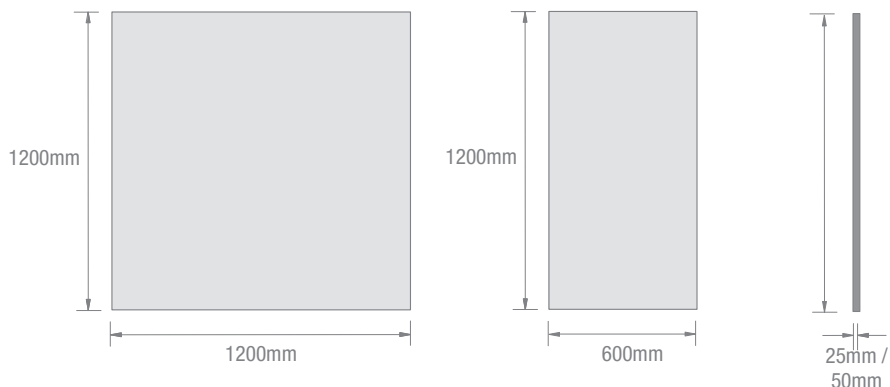


INSTYLE

# Ecoustic® Soffit Absorber

Front View  
1200 x 1200mm

Side View



**PRODUCT** Ecoustic® Soffit Absorber

**DIMENSIONS** 1200mm (w) x 1200mm (l) (maximum size)  
+/-1.5% approx.  
600mm (w) x 1200mm (l)  
Custom sizes available, minimums apply

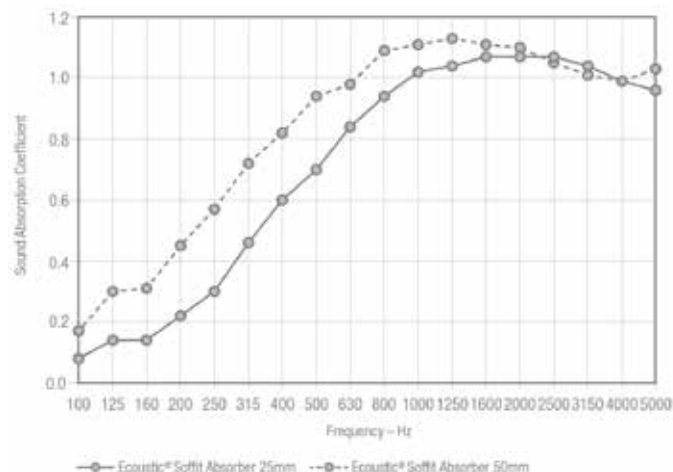
**THICKNESS** Available in two thicknesses: 25mm + 50mm

**ACOUSTIC** 25mm:  $\alpha_w$  0.6\* $MH$  / NRC 0.8  
AS/ISO 354 50mm:  $\alpha_w$  0.85\* $H$  / NRC 0.9

## Designed for the Environment

- Based on low energy manufacturing
- 100% polyester (50% PC + PI recycled content)
- Designed for disassembly + recyclable
- Low-VOC, EPD + Greentag Level A Certified

**Building Rating Systems:** Ecoustic® Soffit will contribute the following points for Green Star, LEED + WELL building standards.



Criteria	Green Star	LEED	WELL
Recycled Content	✓	✓	NA
Low VOC	✓	✓	✓
Recycling Program	✓	✓	NA
EPD	✓	✓	NA
Third Party Greentag Level A Certification	✓	✓	✓
Toxic Material Reduction	NA	NA	✓
Sound Reducing Surfaces 25mm + 50mm	NA	NA	✓

**THERMAL RESISTANCE** 25mm: R1.36  
50mm: R0.68

**LIGHTFASTNESS** >6  
ISO 105-B02

**FIRE TEST** AS/ISO 9705 Group 1  
SMOGR <100

**APPLICATION** Soffit + ceiling

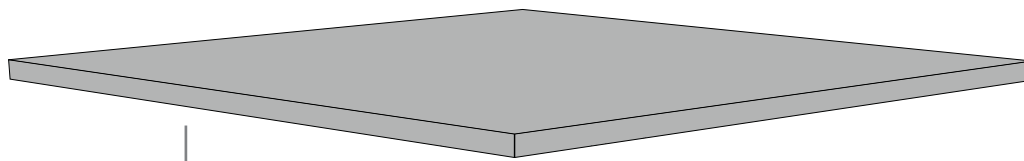
**ORIGIN** Made in Australia

## HOW TO SPECIFY

<b>PRODUCT</b>	Ecoustic® Soffit
<b>THICKNESS</b>	25mm or 50mm
<b>SIZE</b>	1200 x 1200mm or 600 x 1200mm
<b>COLOUR</b>	Select from Ecoustic® Felt colours

Please refer to website for CAD drawings and contact details

# Ecoustic® Soffit Absorber



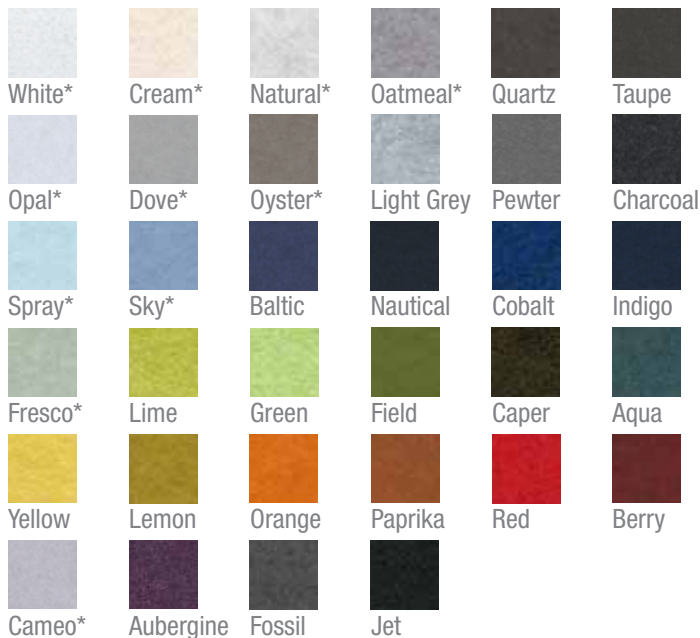
## Ecoustic® Soffit Absorber

25mm\* Soffit: 12 (1200 x 1200) / 24 (600 x 1200) soffits^

50mm\* Soffit: 6 (1200 x 1200) / 12 (600 x 1200) soffits^

^ per box in a single colour

\* Dimensions: +/-1.5% approx



## IMPORTANT

### Soffit Specification

Ecoustic® Soffit Absorber is an effective sound absorbing lining specifically designed to be directly fixed to soffits and ceilings where broadband sound absorption, absorbing low, medium and high frequencies, is required to control reverberant noise in rooms.

### Structural Safety

We recommend all overhead product installations must comply with structural engineer's specifications. Soffit liner must be installed via mechanical fastening in addition to adhesive.

### Moisture Absorption

Exposure to an atmosphere of 50% and 95% RH for four days provides moisture absorption of less than 0.2% per volume. As Ecoustic® Soffit Absorber is 100% polyester, it will not degrade over time due to moisture, mildew or rot in office environments.

### Toxicity

Polyester is non-toxic and is classed the same as wood under the State of New York Article 15 Part 1120. Ecoustic® Soffit Absorbers do not contain any Red List Chemicals (USA EPA).

\*White, Natural, Sky, Cream, Cameo, Fresco, Oatmeal, Opal, Dove, Oyster + Spray are supplied with white core, other colours are supplied with black core

Product may vary in colour due to the nature of the media

Please refer to website for current colour range

Variation in fibre mix and colour is an inherent feature of this product and variation from batch to batch may occur