

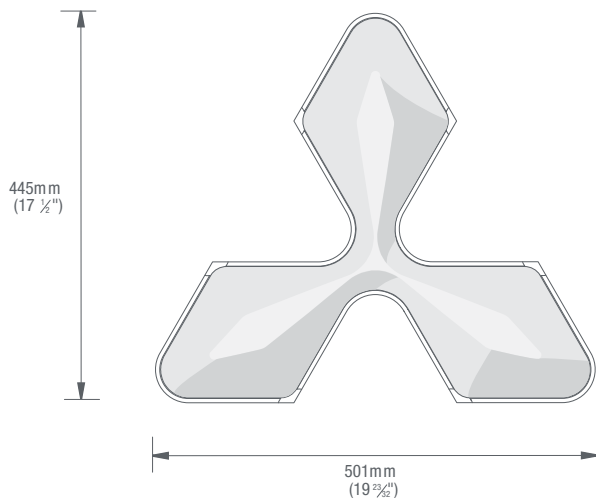
Ecooustic® Foliar

—
A striking acoustic modular tile designed by
Adam Cornish

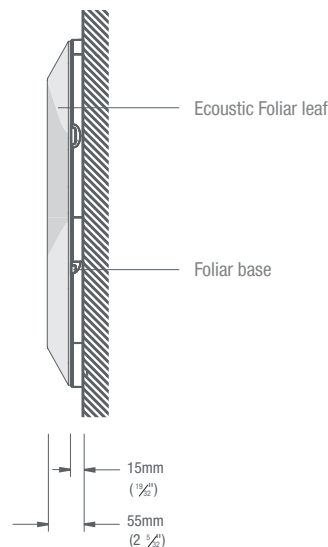


Ecoustic® Foliar by Adam Cornish

Front View



Side View

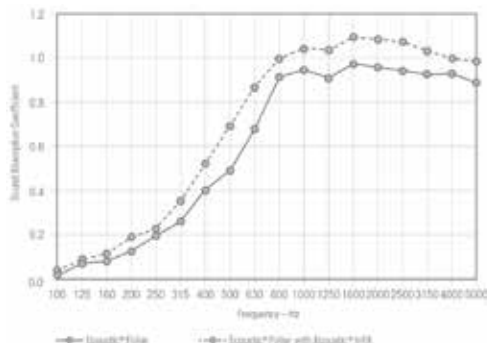


PRODUCT DESCRIPTION Ecoustic® Foliar Tile by Adam Cornish

A striking and dynamic modular tile designed to provide quality sound absorption

DIMENSIONS 501mm (w) x 445mm (h) x 55mm (d)

ACOUSTIC AS/ISO 354 NRC 0.65 / NRC 0.80 (Ecoustic® Infill)



LIGHTFASTNESS > 6
ISO 105-B02

FIRE RATINGS Ecoustic® Foliar Leaf BCA Group 3
AS/NZS 3837 Av. Specific Extinction Area 597.3 m²/kg

ISO 5660.1 Ecoustic® Foliar Leaf NZBC Group 3
Av. Specific Extinction Area 466 m²/kg

GB8624-2012 Grade B1

APPLICATION wall + ceiling (must be glued)

ORIGIN Australia + New Zealand

Please contact your representative for CAD drawings

BENEFITS

Lightweight, Easy to Handle + Install: Screw the base tile directly to your wall and then snap on the top tile. The design can be easily extended at a later stage.

Designed for the Environment

- Leaf: 100% polyester (up to 23% PC + PI recycled content)
- Designed for disassembly + recyclable
- Leaf is low-VOC, EPD + Greentag Level A Certified

Warranty: A 12 month warranty is provided against manufacturing defects. Internal use and installation only, outdoor use will void any warranty.

Building Rating Systems: Ecoustic® Foliar Leaf will contribute the following points for Green Star, LEED + WELL building standards.

Criteria	Green Star	LEED	WELL
Recycled Content	✓	✓	NA
Low VOC	✓	✓	✓
Recycling Program	✓	✓	NA
EPD	✓	✓	NA
Third Party Greentag Level A Certification	✓	✓	✓
Toxic Material Reduction	NA	NA	✓
Sound Reducing Surfaces	NA	NA	✓

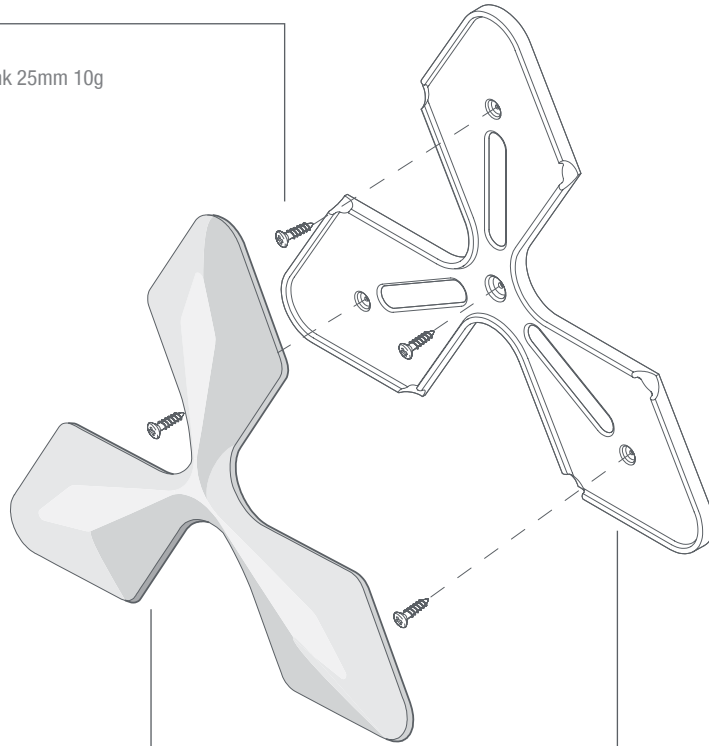
HOW TO SPECIFY

DESIGN	Ecoustic® Foliar Tile
LEAF COLOUR	Select leaf from Ecoustic® Felt colours
BASE COLOUR	Select from base colours
ECOUSTIC® INFILL	Optional extra - order separately

Ecoustic® Foliar Components

Screws

Flat-head c/sunk 25mm 10g
[4 per tile]
Not supplied



Ecoustic® Foliar Leaf

100% polyester (up to 23% recycled content)
5 tiles per box in a single colour

Foliar Base

100% polycarbonate
5 tiles per box in a single colour



Product may vary in colour due to the nature of the media, please refer to website for current colour range
Variation in colour is an inherent feature of this product and variation from batch to batch may occur