

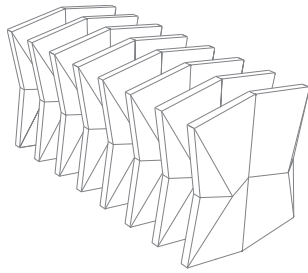
Ecoustic® Pinch Installation + Care



Ecoustic® Pinch Installation

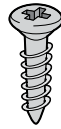
ASSEMBLY INSTRUCTIONS

Supplied



8 x Ecoustic® Pinch tiles
 Sold in packs of 8 per colour
 9 x 4-way joiner clips (inc. 1 spare)
 Clip template
 Installation instructions

Source



Flat-head c/sunk
 25mm (1") 10g
 [4-8 per tile]

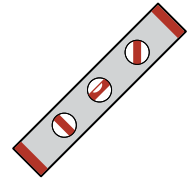


Power drill

Essential



Clean hands
 Handle with care
 during installation

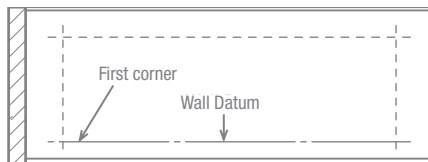


Spirit level

INSTALLATION

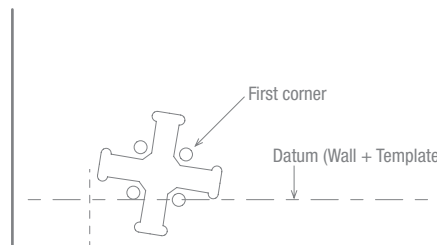
Step 1

In most situations it is best to measure up from the floor and mark a straight line along the base of the area. Check with a spirit level. This line is your wall datum. Use the wall datum to align your starting position in the bottom left hand corner of the installation template, ensuring the wall and template datums are aligned.



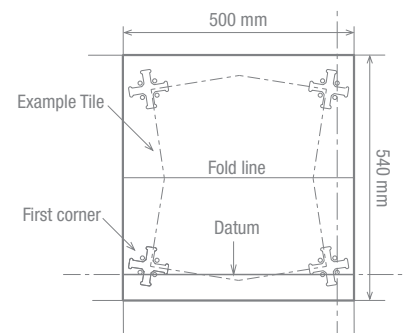
Step 2

Using fixings suitable for your substrate, fix the first corner in place. Note: Always use a mechanical means of fixing.



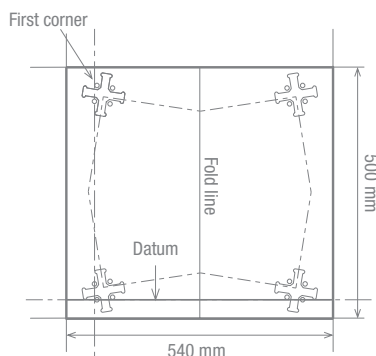
Step 3

Use the template to fix the next 3 clips in place.



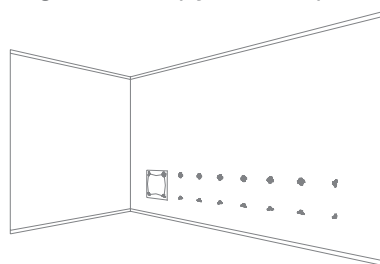
Step 4

Rotate the installation template 90 degrees and place it over 2 wall clips. Ensure the rotated horizontal line of the template aligns the wall datum. Use the template to fix the next 2 clips in place.



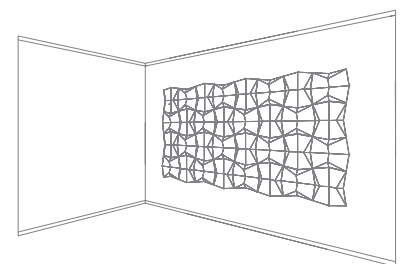
Step 5

Using the template, work your way along the wall in a horizontal orientation. Perimeter tiles should be finished on corners with 1/4 clips and straight joins with 1/2 clips. Note: Never use the tiles to measure spacing. Double check your spacing by gently offering 2 adjoining tiles into the clips without pushing the tiles deeply into the clips.



Step 6

Install the rest of your clips and put up the tiles to finish. For ceiling installations, we recommend the use of glue for additional fixing.



Ecoustic® Pinch Wall Care

Please Note

- Care must be taken when cleaning as these instructions apply to the fabric face only and the possible effect of the cleaning regime on underlying bases and wall surface must be considered
- For these reasons it is suggested to spot clean only and that it be carried out by a professional cleaner

Regular Care

- Protect from direct heat and sunlight
- To prevent dust build up, lightly dust with a soft cloth or vacuum with a soft brush attachment

Cleaning

- Professional cleaning is always recommended
- Always test any any cleaning products on an inconspicuous area prior to commencing cleaning
- Blot any excess spills from the material with a dry clean sponge or cloth
- Treat all stains and spills as soon as possible
- Most marks can be spot cleaned by lightly wetting the affected area with a mild detergent and warm water solution
- Do not saturate the tile
- Do not scrub or abrade the tile surface as this will affect the surface finish
- Once the stain or mark has been loosened then blot the excess solution out with a dry clean sponge or cloth
- Sponge afterwards with clean warm water and dry any excess moisture with a dry clean sponge or cloth
- The product can also be spot cleaned with dry cleaning fluid, lightly sponge a small amount of dry cleaning fluid and blot
- Dry away from direct heat and sunlight
- Do not use carpet shampoo