

# Ecoustic® Arc Installation + Care



INSTYLE

# Installation

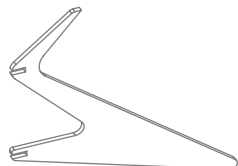
## SUPPLIED IN EACH BOX



1 x upper disc



1 x lower disc



16 x Arc Profiles



1 x black pendant lampholder with skirt, 2m cable + electrical connections



To suit 40mm diameter hole in the upper disc

## TO BE SOURCED SEPARATELY



1 x Edison light bulb

## ARC PENDANT LIGHT COMPONENTS

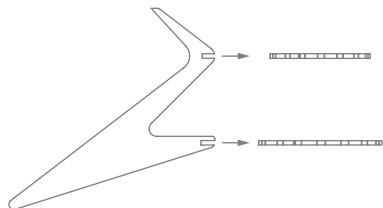
Available in 7 colourways

Sold in box of 1 pendant light per colour

## ASSEMBLY INSTRUCTIONS

### Step 1

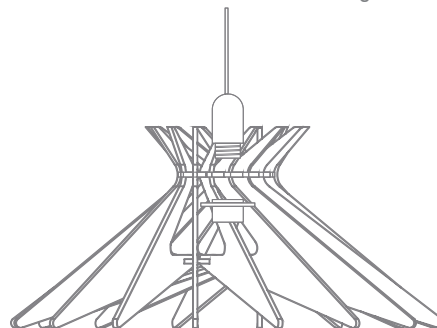
Insert 16 x Arc profiles into the upper and lower discs.



### Step 2

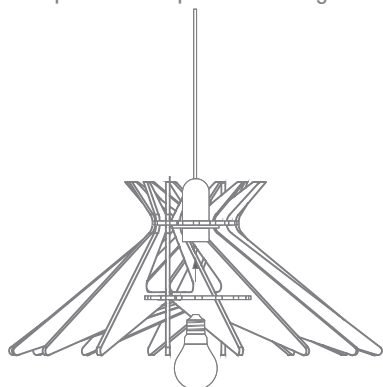
Attach pendant assembly to lampholder through the upper disc. Secure tightly with the lampholder skirt.

NB: A licensed electrician must connect all wiring



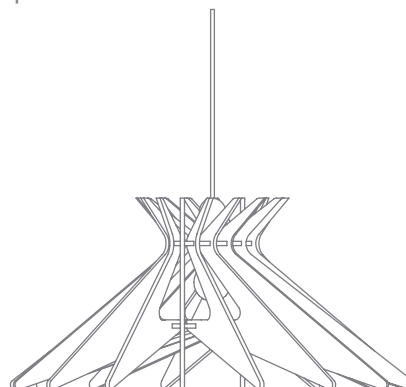
### Step 3

Insert lightbulb into pendant lamp holder through lower disc.



### Step 4

Assembly complete.



# Ecoustic® Arc Care

---

## **Please Note**

- Consideration must be given to any possible effect of the cleaning regime on the underlying glue or backing board. It is recommended that spot cleaning only is used and that it is carried out by a professional cleaner.

## **Regular Care**

- Protect from direct heat and sunlight.
- To prevent dust build up, lightly dust with a soft cloth or vacuum with a soft brush attachment.

## **Spot Cleaning**

- Professional cleaning is always recommended.
- Always test any cleaning products on an inconspicuous area prior to commencing cleaning.
- Blot any excess spills from the material with a dry clean sponge or cloth.
- Treat all stains and spills as soon as possible.
- Most marks can be spot cleaned by lightly wetting the affected area with a mild detergent and warm water solution.
- Do not saturate the panel, screen or felt.
- Do not scrub or abrade the product as this will affect the surface finish.
- Once the stain or mark has been loosened then blot the excess solution out with a dry clean cloth.
- Sponge afterwards with clean warm water and mop any excess moisture with a dry clean sponge or cloth.
- The product can also be spot cleaned with dry cleaning fluid. Lightly sponge a small amount of dry cleaning fluid and blot.
- Dry away from direct heat and sunlight.
- Avoid the use carpet shampoos.