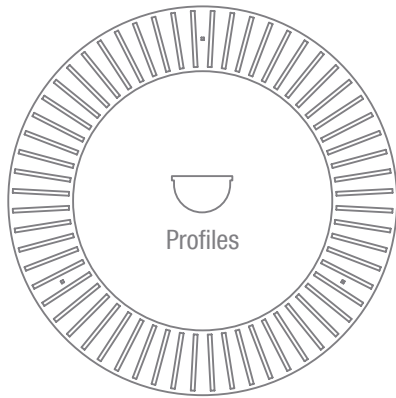


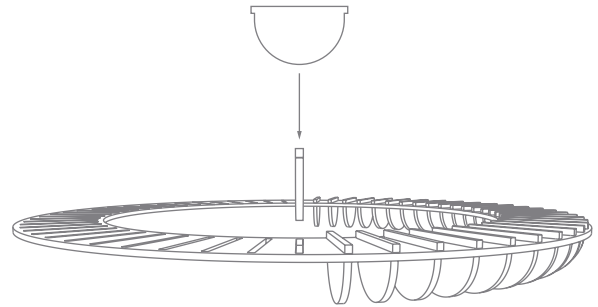
# Ecoustic® Tango Installation + Care



# Ecoustic® Tango Installation Instructions

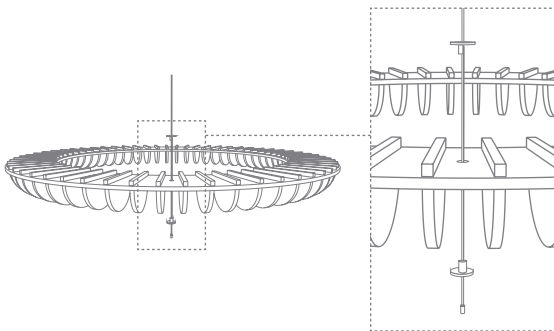


Tango Panel

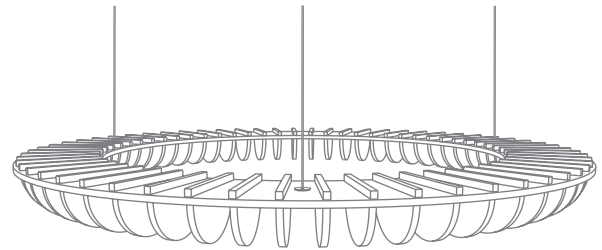


Insert profiles into the panel through the dedicated holes.

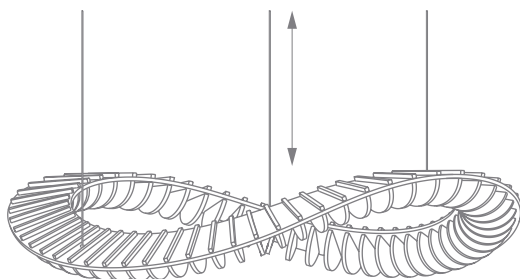
Remove Tango panel and Tango profiles from their protective surround.



Insert suspension cable from below, through lower escutcheon, then through dedicated panel suspension hole and then upper escutcheon, before attaching to ceiling suspension fixture.



Repeat process for all suspension points and secure cable supports to intended building surface (e.g. internal ceiling), via suitable fasteners. Tango profiles should always be directed downward toward the floor.



Adjust cables to desired length via squeeze clutch within cable support and remove excess cable. Different suspension cable lengths will create unique movements + visual forms of the Tango.

# Care

---

## Please Note

- Ecoustic® Tango should be removed from the ceiling to ensure it can be cleaned safely.
- It is recommended that spot cleaning only is used and that it is carried out by a professional cleaner.

## Regular Care

- Protect from direct heat and sunlight.
- To prevent dust build up, lightly dust with a soft cloth or vacuum with a soft brush attachment.

## Spot Cleaning

- Professional cleaning is always recommended.
- Always test any cleaning products on an inconspicuous area prior to commencing cleaning.
- Blot any excess spills from the material with a dry clean sponge or cloth.
- Treat all stains and spills as soon as possible.
- Most marks can be spot cleaned by lightly wetting the affected area with a mild detergent and warm water solution.
- Do not saturate the panel.
- Do not scrub or abrade the panel as this will affect the surface finish.
- Once the stain or mark has been loosened then blot the excess solution out with a dry clean cloth.
- Sponge afterwards with clean warm water and mop any excess moisture with a dry clean sponge or cloth.
- The surface can also be spot cleaned with dry cleaning fluid. Lightly sponge a small amount of dry cleaning fluid and blot.
- Dry away from direct heat and sunlight.
- Avoid the use carpet shampoos.