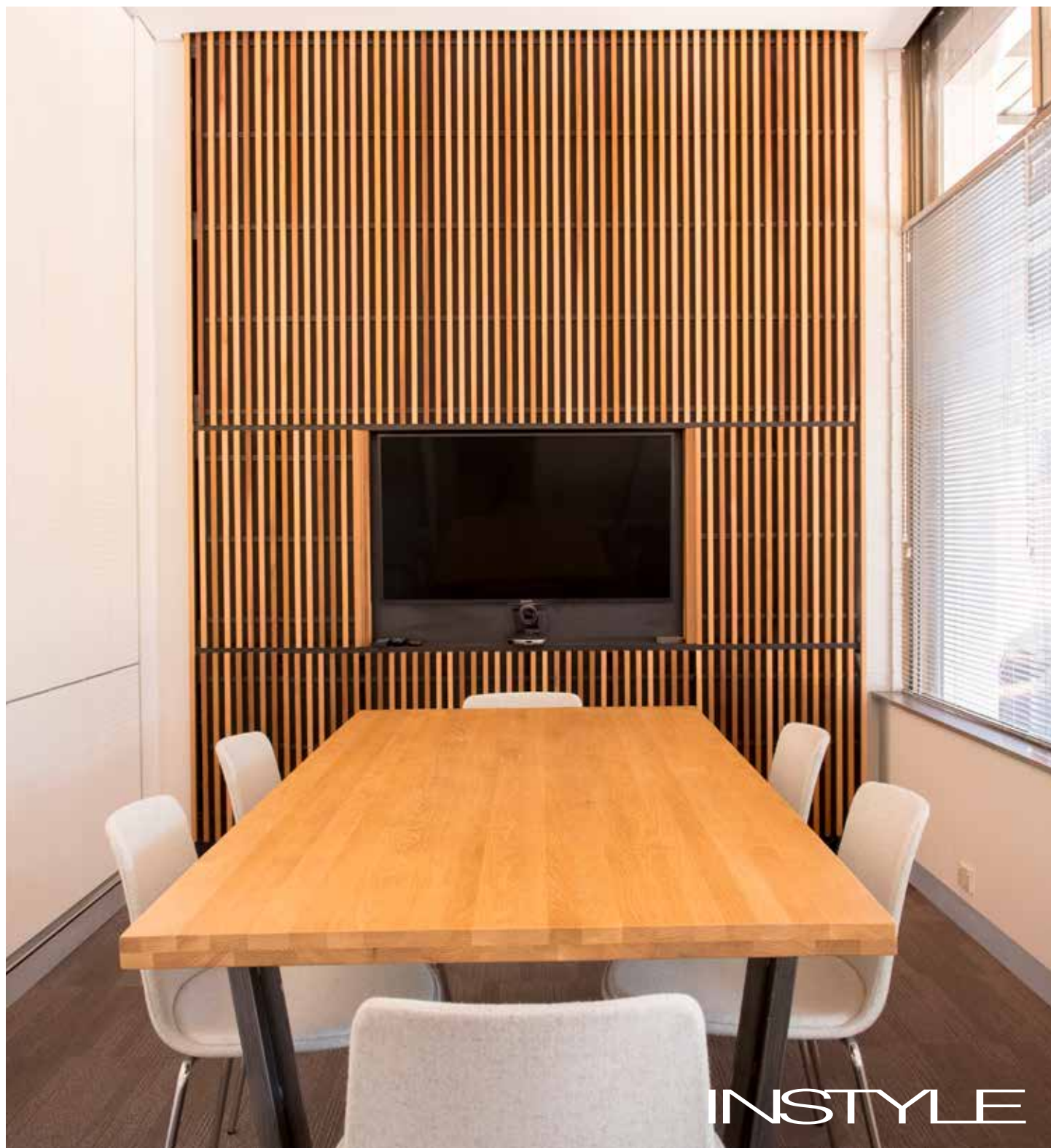
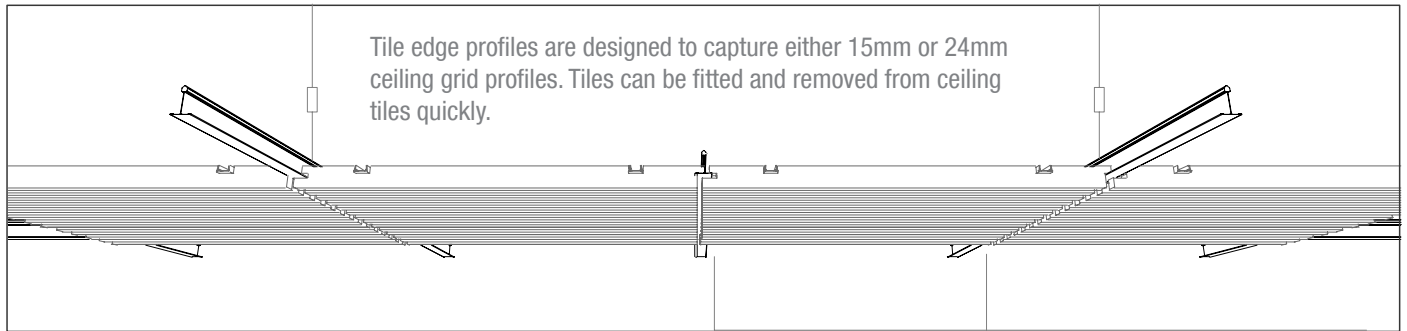


Ecoustic® Blade Ceiling Tile Installation + Care



Ceiling Tile Installation



SUPPLIED

Ecooustic® Blade is supplied in box quantities as follows:

600 x 600mm: 8 Ecooustic® Blade Ceiling Tiles per box

1200 x 600mm: 4 Ecooustic® Blade Ceiling Tiles per box

CEILING GRIDS

Ceiling grid systems are not supplied.

Ecooustic® Blade Ceiling Tiles can be used in any standard proprietary ceiling grid systems.

Use ceiling grids in black finish colour to complement Ecooustic® Blade Ceiling Tiles.

The total weight per m² of all Ecooustic® Blade Ceiling Tiles is within the maximum weight rating of most proprietary grid systems. New ceiling grids must be installed to comply with manufacturer's specifications. When using existing ceiling tile grids, installers must confirm the structural adequacy of the grid and install additional grid hangers as required to meet structural engineer's specifications.

Structural engineers safety certification must be confirmed for all overhead installations.

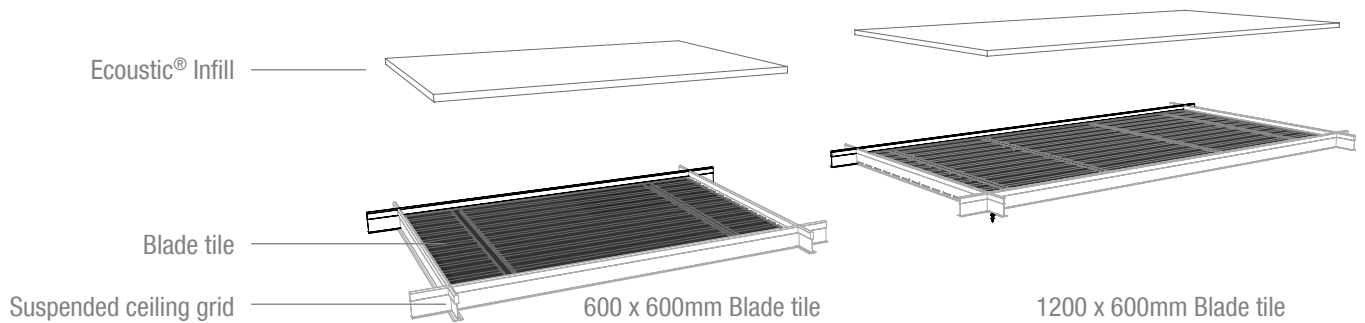
ECOUSTIC® INFILL

Where infills are used and tiles are to be removed, care needs to be taken that the infill is secured to the tile to avoid injury.

Ecoustic® Infill Assembly Instructions

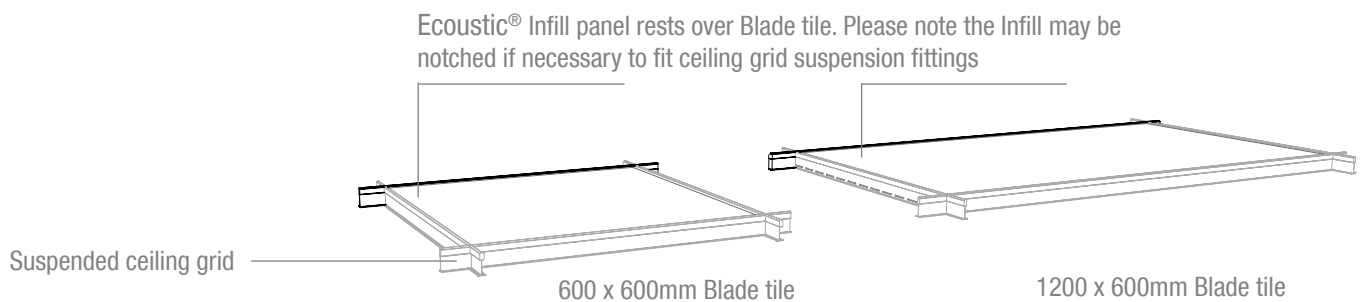
Step 1

Rest Ecoustic® Blade tile within suspended ceiling grid



Step 2

Use access from adjoining ceiling grid open area to offer Ecoustic® Infill panels over installed Blade tiles

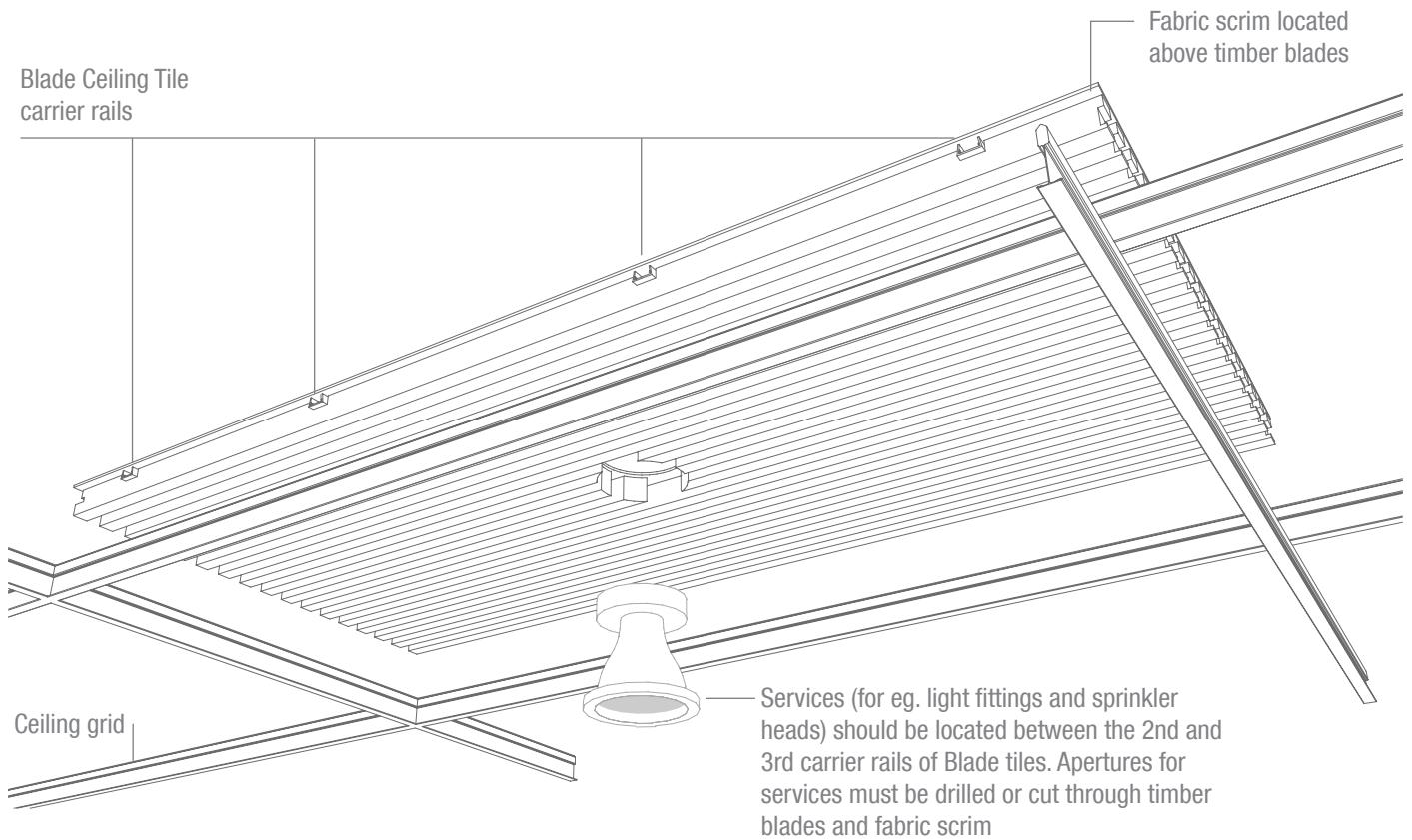


Step 3

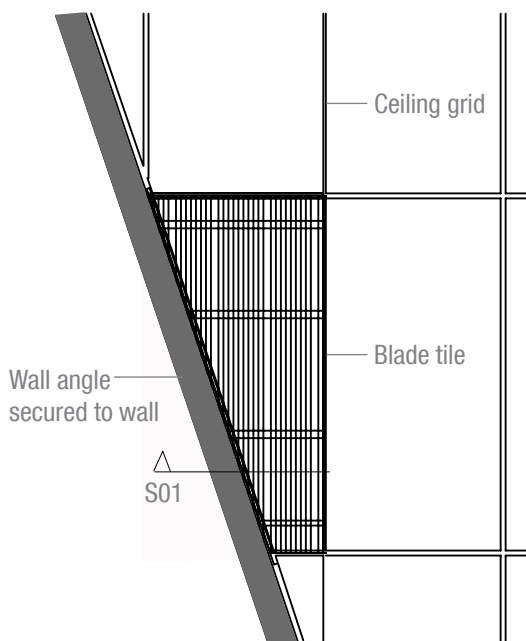
Rest Ecoustic® Infill panels over Blade tile, ensuring the Infill is located within suspended ceiling grid T bars

Please Note: Hold or secure Infill panel to final Blade tile to be installed within a ceiling space

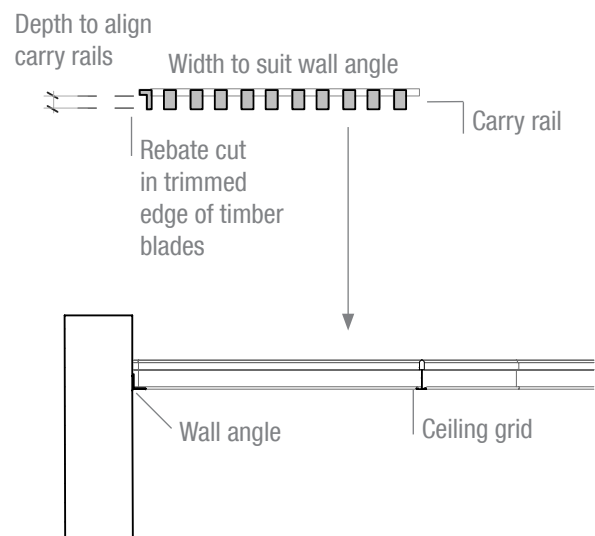
Light Fitting Installation



Angular Ceiling Installation



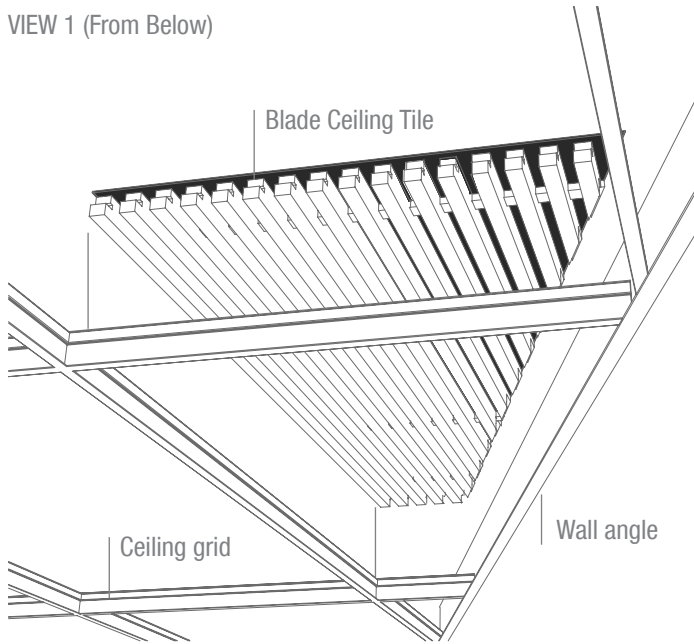
Reflected Ceiling Plan



Section 01.

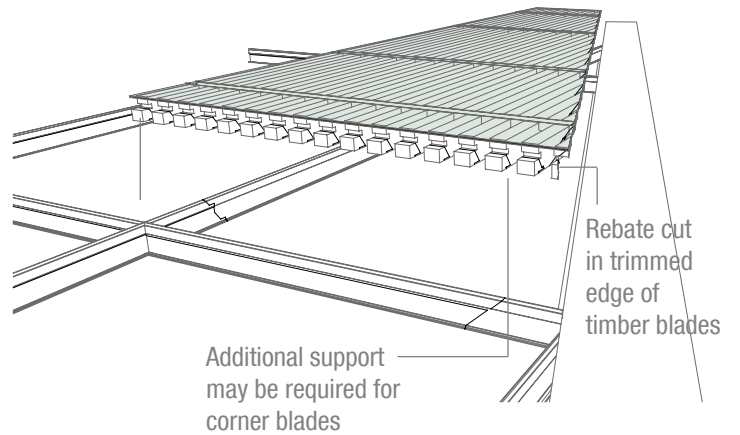
Angular Ceiling Installation Continued

VIEW 1 (From Below)



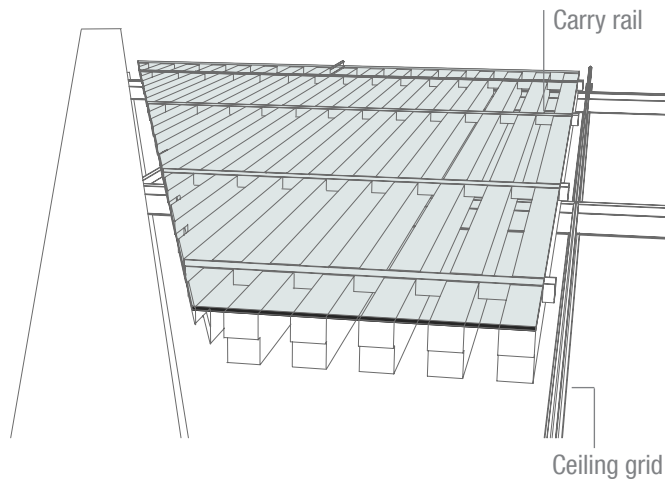
Measure the edge triangular tiles on site, and cut the Blade Ceiling Tile + Scrim fabric over the blades as needed to align the hypotenuse of the triangle shape.

VIEW 2 (From Above)



Cut a rebate in the hypotenuse of the tile blades, such that the rebate height will align the level of blade tile carrier rails, and the rebate width will align the edge of intended Blade tile hypotenuse support (wall angle or ceiling grid).

VIEW 3 (From Above)



Check tolerances and apply desired finish to the cut timber surfaces.

Please Note: it may be necessary to provide additional support to any blades not supported by carry rails. This could be achieved from above the scrim fabric via mechanical fasteners through discarded sections of carry rail or similar.

Care

Ecoustic® Blade ceiling tiles + panels are pre-finished in internal grade coatings therefore periodic dusting should keep the tiles looking their best.

Should the tiles require cleaning, we recommend wiping the tiles down with a clean dry or damp cloth or duster.